



**METCHRO**

MARKET-DRIVEN STAINLESS TRUCK PARTS



**UNIVERSAL**  
PARTS

**METCHRO**

METCHRO POLICIES .....4  
 METCHRO LEGEND & LIGHTS .....7

**BUMPERS & ACCESSORIES**

FRONT BUMPERS .....9  
 LIGHT BARS .....11  
 UNIVERSAL MODELS  
 85.5" BUMPER LIGHT BARS .....13  
 UNIVERSAL MODELS  
 94.5" BUMPER LIGHT BARS .....13  
 TEXAS BUMPER  
 BUMPER BAR .....13  
 UNIVERSAL MODELS  
 LICENCE PLATE HOLDER .....15  
 FOR PETERBILT TRUCK ONLY  
 LICENCE PLATE HOLDER WITH HINGES .....15  
 CHROME LICENCE FRAME(S) INCLUDED

**CAD ACCESSORIES**

BUMPER SUPPORT .....15  
 UNIVERSAL MODELS (EXCEPT WESTERN STAR)  
 MIRROR LIGHT BAR .....17  
 FOR ALL MODELS  
 FIRE WALL LIGHT BAR .....17  
 REVOLVING LIGHT BRACKET .....19  
 PETERBILT & KENWORTH  
 REVOLVING LIGHT BRACKET .....21  
 FREIGHTLINER - INTERNATIONAL - WESTERN STAR - MACK - VOLVO  
 BACK UP LIGHT BRACKET .....23  
 UNIVERSAL  
 REVOLVING LIGHT BRACKET .....23  
 UNIVERSAL  
 AIR FILTER STAR .....25  
 UNIVERSAL MODELS  
 TRAIN HORN .....25  
 UNIVERSAL MODELS - ALL YEARS  
 STROBE LIGHT BRACKET .....25  
 UNIVERSAL MODEL - ALL YEARS  
 SUN VISORS .....27  
 UNIVERSAL MODELS - ALL YEARS

**FRAME & FAIRING ACC.**

24" MUD FLAP WEIGHT .....29  
 6" LONG HORN  
 24" MUD FLAP WEIGHT .....31  
 6" LONG HORN WITH ANGLE & RECTANGULAR  
 24" - 18" - 12" MUD FLAP WEIGHT .....33  
 NARROW ENDS  
 24" x 4" MUD FLAP WEIGHT .....35  
 ANGLED  
 MUD FLAP HANGER .....37  
 REAR FRAME CENTER PANEL LIGHTS .....37  
 CENTER BACK PANEL & CENTER BACK PANEL COVER .....39  
 FIT ON ALL MODELS  
 HARNESS .....41  
 STROBE LIGHT BRACKET .....41  
 UNIVERSAL MODELS  
 AVAILABLE FOR EACH MODEL OF PANEL  
 WIDE BACK PANELS .....43  
 FIT ON ALL MODELS  
 WIDE CENTER BACK PANEL .....43  
 AIR LINE BOX .....45  
 UNIVERSAL MODELS THAT FIT ON EVERY TRUCKS MODELS  
 DECK PLATES .....45  
 UNIVERSAL MODELS  
 5<sup>TH</sup> WHEEL RAMP .....47

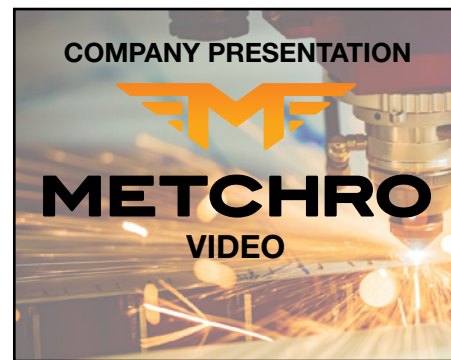
**SLEEPER ACCESSORIES**

DEFLECTOR FOR BACK UP LIGHTS .....51  
 PERMIT PLATE STAINLESS .....51  
 PERMIT PLATE STAINLESS .....53  
 SLEEPER VENT TRIM .....53  
 REAR PANELS .....55  
 UNIVERSAL | ALL MODELS  
 REAR LIGHT BARS .....55  
 UNIVERSAL | ALL MODELS

**FENDERS AND MOUNTING KITS**

FENDERS AND MOUNTING KITS .....57

**METCHRO POLICIES OVERVIEW**  
PLEASE REVIEW CAREFULLY



**OUR ACCESSORIES ARE MADE OF PREMIUM QUALITY STAINLESS STEEL (304 GRADE MIRROR FINISH) OR STANDARD QUALITY STAINLESS STEEL (430 GRADE).**

**OUR FENDERS ARE MADE OF 430 GRADE STAINLESS STEEL USING STAMPING OR ROLL FORMING PROCESS FOR THE BEST PERFORMANCE IN THE INDUSTRY.**

**OTHER MATERIALS MAY BE USED (STAINLESS STEEL, CHECKER PLATES, ALUMINUM AND GALVANIZED STEEL). ASK METCHRO CUSTOMER SERVICES FOR MORE OPTIONS.**

**WARRANTY**

- All returns and warranty claims must be done with Metchro consent and must have an authorization number.
- Defective parts must be accompanied with a filled-out claim form, the sales invoice and 4 pictures:
  - ▶ Picture of the entire truck
  - ▶ Picture to see the installation hardware
  - ▶ Picture of the problem
  - ▶ Picture proving that the rubber padding was properly installed (Fenders only)

**METCHRO ACCESSORIES WARRANTY**

- All stainless-steel products carry a limited one-year warranty from invoice date against defects in material or workmanship.
- All LED lighting products carry a three-year-warranty (3) from invoice date against defects in material or workmanship.
- Warranty does not cover any labor cost or damages due to accidents, abuse, mishandling of parts, improper storage, improper installation, or misuse.
- Parts with multiple components, only the defective component will be replaced.
- This warranty is applicable only to the original purchaser.
- METCHRO is not and will not be held responsible for any damage or violations that may occur to the vehicle on which a Metchro part is installed. This includes, but not limited to, paint damage, body damage and law infractions. It is solely the responsibility of the client to ensure that the part conforms to the vehicle's specifications and other laws to which the vehicle must abide.

**FENDER AND MOUNTING KIT WARRANTY**

- One (1) year warranty on parts apply.
- METCHRO will replace defective parts and will incur responsibility for shipping the replacements parts.
- Warranty will only be granted if the fender is properly installed using the Metchro Mounting kit.
- Warranty does not cover damages due to accidents, abuse, mishandling of the parts, improper storage, improper installation, or misuse.
- Metchro is not and will not be held responsible for any damage or violations that may occur to the vehicle on which a Metchro part is installed. This includes, but not limited to, paint damage and law infractions. It is solely the responsibility of the client to ensure that the part conforms to the vehicle's specifications and other laws to which the vehicle must abide.
- This warranty is applicable only to the original purchaser.

**ACCOUNTS AND PAYMENTS**

- Minimum order is \$250.
- Approved accounts will be assigned payment terms of NET 30 days by check, ACH (Automated Clearing House) or wire transfer.
- A service charge of 1.5% per month will be imposed on invoices not paid within 30 days.
- Orders without approved account must be paid in advance by VISA, MasterCard or AMEX.
- A \$75 NSF (Non-Sufficient Fund) fee will be charged on each incidence a check is returned to METCHRO.
- New Customers must complete the New Customer Info/Credit Form and follow the METCHRO Qualification Instructions to open an account.

**ORDERING GUIDELINES**

- METCHRO is a Truck Parts Manufacturer. All parts need to be produced and packed before being in transit to our customer facility. Depending on our inventory and/or METCHRO fabrication schedule the fabrication process may take up 3 to 5 weeks. Any anticipated delay will be noted on the Confirmation Order.
- Orders may be placed by e-mail at client@metchro.com or phone Customer Services at 1-888-932-3333 extension 230.
- Additions, Deletion or Cancellation of items or orders must be submitted via email with 24 hours of the order date.
- Lead time to process orders is 1-2 business days from the receipt of the purchase order. Large orders or orders with custom parts may require up to 5 business days.
- METCHRO will acknowledge receipt of orders by email and/or a phone call within 2 business days of receipt. If confirmation is not received, please contact METCHRO to ensure your order is confirmed.
- All claims for shortage must be made within 10 days of receiving the products.

- All applicable taxes and charges are in addition to the price list.
- METCHRO will work to resolve delays with the freight company, however, delays do arise from time to time due to weather and unforeseen circumstances beyond METCHRO's control.

**CANCELING ORDERS & RETURNING POLICIES**

- Cancellation must be submitted via email within 24 hours of the order date.
- If order has already been shipped, it is the customer's responsibility to return the order at the customer's own expense.
- All products returned for credit will be subject to a 15% restocking charge.
- All products must be returned by prepaid freight.
- All products must be returned in its original package and in a resale condition.

**CLAIMS (GENERAL TERMS)**

- All claims (shortage, mis-shipment, damage, overage, customer error and billing error) must be submitted to METCHRO within 5 business days of the receipt of shipment. Claims submitted beyond 5 business days of the receipt of shipment will be voided by METCHRO.
- For all shipments received, the person who signs and receives the shipment at the Customer location is responsible for noting on the Bill of Lading, whether any boxes arrived damaged or shorted. Failure to do so will void all claim rights between all parties.

**DISCLAIMER**

- METCHRO will have no recourse against the Freight Company if customer does not note any damages or shortages on the Bill of Lading.
- The customer's receiving department must count and sign for the exact number of boxes received. Failure to follow the above instructions will void all claim rights between all parties.
- METCHRO reserves the right to amend or update our Policies & Procedures without notice.
- METCHRO is not responsible for typographical, product information or print errors. Specifications in this catalog may be changed without notice. Products may look different from those in the photos in this catalog due to printing quality.

**IMAGINING  
WORKING  
SHINING**

**FENDER AND MOUNTING KITS**

- Mounting hardware
- Quarter fenders
- Tandem (half) fenders
- Full fenders
- Round fenders

**FRAME AND FAIRING ACCESSORIES**

- Air line box
- Center back panel
- Mud flap hanger
- Rear frame cover
- Step cover
- 5th wheel ramp

**SLEEPER ACCESSORIES**

- Cab panel
- Baggage door trim
- Handle trim
- Sleeper panel
- Sleeper extension panel
- Window trim
- 5th wheel ramp

**CAB ACCESSORIES**

- Dual light panel
- Air cleaner bar
- Cowl panel
- Mirror light bar
- Sun visor & visor trim
- Window Deflector

**HOOD AND GRILL ACCESSORIES**

- Air intake light, fairing & trim
- Bug deflector & shield
- Fender trim & guard
- Front grill
- Hood panel
- Logo panel
- Side deflector

**BUMPER ACCESSORIES**

- Bumper light bar
- Licence plate holder
- Foot panel
- Bumper insert

**DO-IT-YOURSELF KIT**



**Metchro's 7000 Series System**

EACH DIGIT GIVES IMPORTANT INFORMATION ABOUT THE PARTS (ACCESSORIES ONLY)

**S7151003XXX**

1 2 3 4 5 6 7

**1** The "S" prefix means that the product is made with a highly polished stainless steel (304-X10) mirror finish.  
With the "V" prefix brushed finish  
With the "C" prefix, stainless steel (430BA)

**2** This digit refers to the accessories of the 7000 series

**3** This digit represents a custom truck accessory  
This digit represents the make of the truck:

- |                   |               |           |
|-------------------|---------------|-----------|
| 0 = Caterpillar   | 6 = Mack      | U = Isuzu |
| 1 = Peterbilt     | 7 = Volvo     |           |
| 2 = Kenworth      | 8 = Sterling  |           |
| 3 = Freightliner  | 9 = Universal |           |
| 4 = International | H = Hino      |           |
| 5 = Western Star  | F = Ford      |           |

**4** This represents the location on the truck where the part is mounted:

- |                               |                           |
|-------------------------------|---------------------------|
| 1 = Bumper accessories        | 7 = Frame accessories     |
| 2 = Hood & grill accessories  | 8 = Trailer accessories   |
| 3 = Cab (outside) accessories | 9 = Wheel accessories     |
| 4 = Cab (inside) accessories  | K = Multiple location kit |
| 5 = Sleeper accessories       |                           |
| 6 = Side fairing accessories  |                           |

**5** This digit represents how the part is sold:  
1 = As a single unit (UN)  
2 = As a pair (PR)  
3 = As a kit (KIT)

**6** These 3 digits identify the part itself

**7** Suffix represents the type of lighting that will be used on the product

- LED = LED no bezel
- LEDB = LED with bezel
- LEDCA = Clear lens with amber LED
- LED CAB = Clear lens with amber LED and bezel
- LEDCR = Clear lens with red LED
- LEDCRB = Clear lens with red LED and bezel

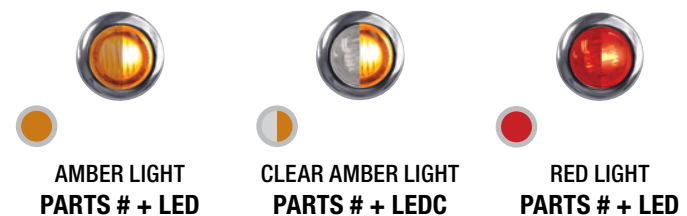
**BACK UP LIGHT AVAILABLE**  
**6" X 3/4" RECTANGULAR LIGHTS LEGEND**



**BACK UP LIGHT AVAILABLE**  
**6" OBLONG LIGHTS LEGEND**



**3/4" BULLSEYE LIGHTS LEGEND**



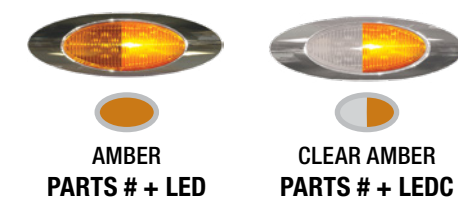
**BACK UP LIGHT AVAILABLE**  
**2" ROUND LIGHTS LEGEND**



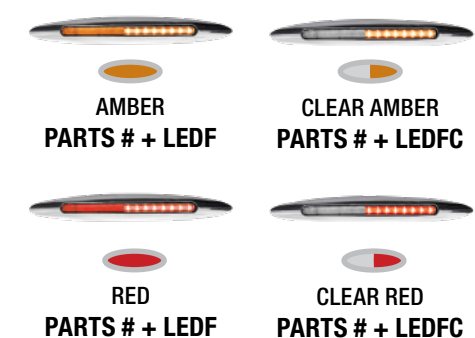
**BACK UP LIGHT AVAILABLE**  
**4" ROUND LIGHTS LEGEND**



**6" OVAL-GEN LIGHTS LEGEND**



**6" FLATLINE LIGHTS LEGEND**



# LOOKING FOR BUMPERS?

They are so popular that we now dedicate an entire catalog to them!



**VISIT OUR WEBSITE  
FOR MORE DETAILS!**

[metchro.com/catalogs](http://metchro.com/catalogs)



## LIGHT BARS

Universal models

LEGEND								
2" ROUND			BULLSEYE		OVAL / FLATLINE			
LED	LEDB	LEDCB	LED	LEDC	LED	LEDC	LEDF	LEDFC
LIGHT BARS - UNIVERSAL MODELS								
SECTION	PARTS #	DESCRIPTION						
1 9.5" Light Bar	7911001-LED	1 x oval lights						
2 19" Light Bar	7911002-LED	2 x oval lights						
3 28.5" Light Bar	7911003-LED	3 x oval lights						
4 38" Light Bar	7911004-LED	4 x oval lights						
5 9.5" Light Bar	7911009-LED	2 x round lights						
6 19" Light Bar	7911010-LED	4 x round lights						
7 28.5" Light Bar	7911011-LED	6 x round lights						
8 38" Light Bar	7911012-LED	8 x round lights						
9 9.5" Light Bar	7911013-LED	1 x oval lights						
10 19" Light Bar	7911014-LED	2 x oval lights						
11 28.5" Light Bar	7911015-LED	3 x oval lights						
12 38" Light Bar	7911016-LED	4 x oval lights						
13 9.75" Light Bar	7911005-LED	1 x oval lights						
14 19.5" Light Bar	7911006-LED	2 x oval lights						
15 30" Light Bar	7911007-LED	3 x oval lights						
16 32" Light Bar	7911008-LED	4 x oval lights						





## 85.5" BUMPER LIGHT BARS

Universal models

LEGEND								
2" ROUND			BULLSEYE		OVAL / FLATLINE			
LED	LEDB	LEDCB	LED	LEDC	LED	LEDC	LEDF	LEDFC
BUMPER LIGHT BARS - UNIVERSAL MODELS								
SECTION	PARTS #	COLOR	DESCRIPTION					
1	7911017-LED		9 x oval lights					
2	7911019-LED		9 x oval lights					
3	7911018-LED		18 x 2" round lights					
4	S7911029-LED		9 x oval lights					

## 94.5" BUMPER LIGHT BARS

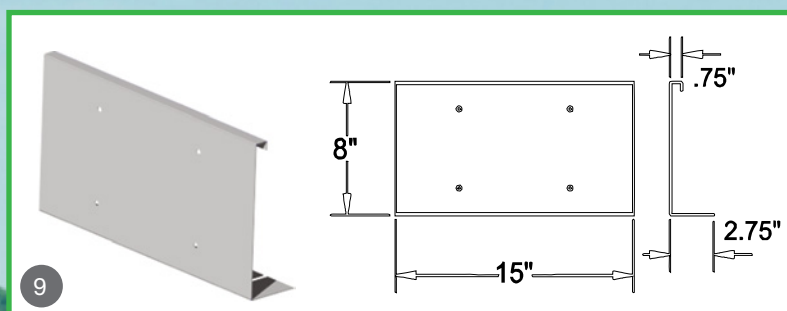
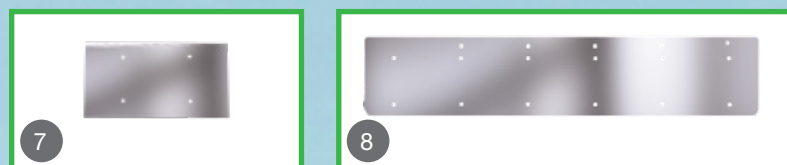
Texas bumper

BUMPER LIGHT BARS - TEXAS			
SECTION	PARTS #	COLOR	DESCRIPTION
5	S7911020-LED		8 x oval lights
6	S7911022-LED		9 x oval lights
7	S7911121-LED		18 x 2" round lights
8	S7911125-LED		9 x oval lights
9	S7911021-LED		18 x 2" round lights
10	S7911120-LED		8 x oval lights
11	S7911122-LED		4 x oval lights
12	S7911144		Blank
13	S7911146-LED		17 x oval lights
14	S7911152		14 x 3/4" round button LED lights / holes only
	S7911152-LED		14 x 3/4" round button LED lights kit
	C7911152-LEDC		14 x 3/4" round button LED lights kit

## BUMPER BAR

Universal models

BUMPER LIGHT BARS - UNIVERSAL MODELS		
SECTION	PARTS #	DESCRIPTION
	S7911170	Blank



### LICENCE PLATE HOLDER

For Peterbilt truck only

LICENCE PLATE HOLDER - PETERBILT ONLY				
	DESCRIPTION	PARTS #	DESCRIPTION	YEARS
1	8 1/8" Wide x 13" Long	S7111012	for Peterbilt 388 & 389	2008 & up
2	8 1/8" Wide x 27" Long	S7111010	for Peterbilt 388 & 389	2008 & up
3	8 1/8" Wide x 41" Long	S7111011	for Peterbilt 388 & 389	2008 & up
4	10" Wide x 20" Long	S7111005	for all Peterbilt models - Pete style	All years
5	10" Wide x 31" Long	S7111002	for all Peterbilt models - Pete style	All years
6	10" Wide x 44" Long	S7111001	for all Peterbilt models - Pete style	All years
7	10" Wide x 15" Long	S7111003	for all Peterbilt models	All years
8	10" Wide x 30" Long	S7111007	for all Peterbilt models	All years

### LICENCE PLATE HOLDER WITH HINGES

Chrome licence frame(s) included

LICENCE PLATE HOLDER WITH HINGES			
	DESCRIPTION	PARTS #	DESCRIPTION
9	Bottom Mounting Licence Plate Holder	S7911028	—
10	Moose Front Bumper Licence Plate Holder	S7911149	—
11	13.125" Long	S7911134	with hinges
12	25.25" Long	S7911135	with hinges
13	37.75" Long	S7911136	with hinges
14	50" Long	S7911137	with hinges
15	20" Long	S7911130-LED	with hinges
16	32.25" Long	S7911131-LED	with hinges
17	44.5" Long	S7911132-LED	with hinges
18	56.75" Long	S7911133-LED	with hinges

### BUMPER SUPPORT

Universal models (except Western Star)

BUMPER LIGHT BARS - UNIVERSAL MODELS			
	SECTION	PARTS #	DESCRIPTION
Ⓢ	Universal bumper support	C7911153	22" high universal front bumper support
Ⓢ	Universal bumper support	C7911168	20" high universal front bumper support
Ⓢ	Universal bumper support	C7911155	18" high universal front bumper support
Ⓢ	Universal bumper support (SFA)	C7111154	20" high universal bumper support





MIRROR LIGHT BAR

For all models

LEGEND								
2" ROUND			BULLSEYE		OVAL / FLATLINE			
LED	LEDB	LEDCB	LED	LEDC	LED	LEDC	LEDF	LEDFO

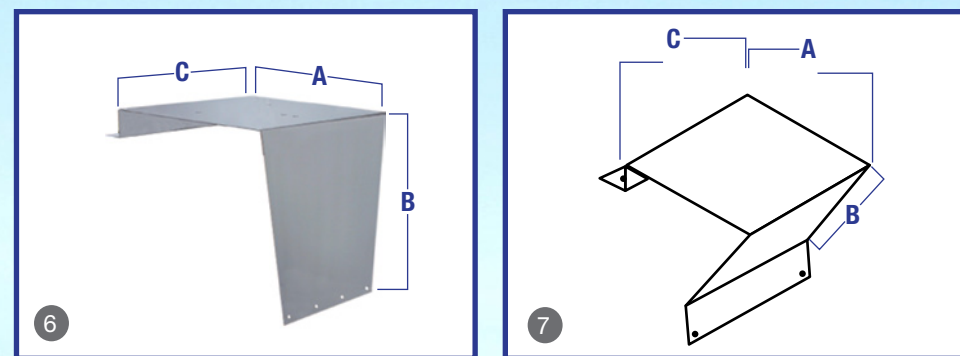
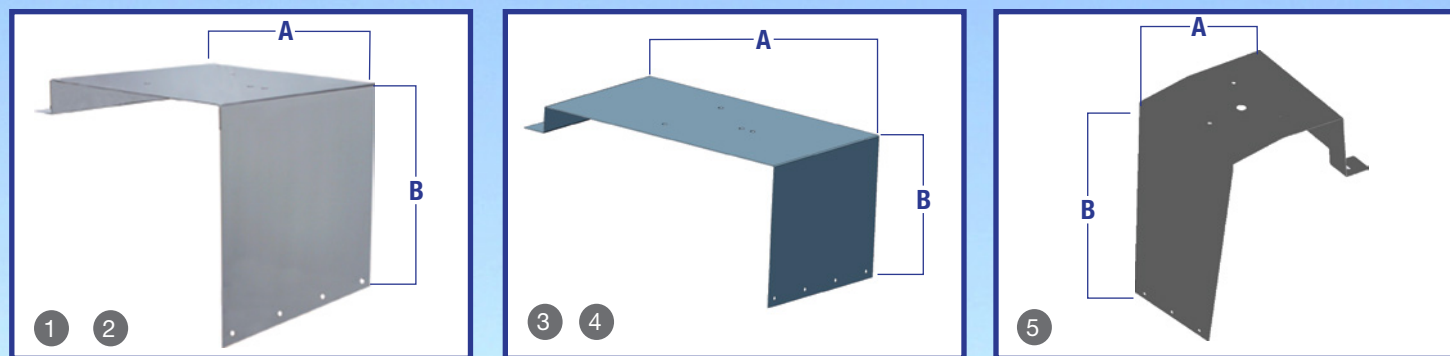
  

MIRROR LIGHT BAR						
SECTION	PARTS #	LIGHTS	COLOR	YEAR	QTY	
1 19.5" Mirror Light Bar - With Flat Back Mirror	S7932006-LED	5 x 2" round lights		All years	PR	
2 19.5" Mirror Light Bar - With Flat Back Mirror	S7932008-LED	2 x oval lights		All years	PR	
3 19.5" Mirror Light Bar - With Flat Back Mirror	S7932030-LED	12 x bullseye lights		All years	PR	

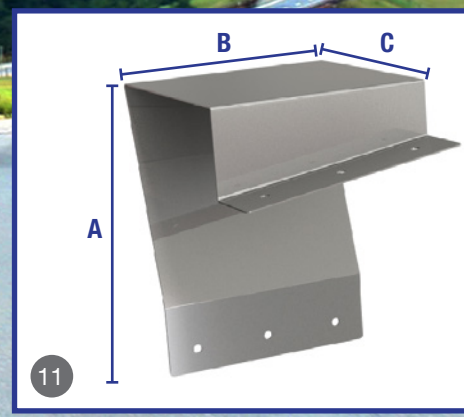
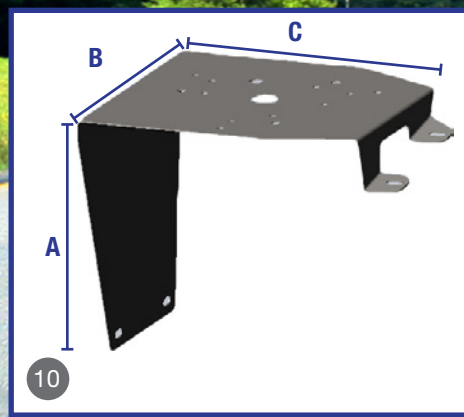
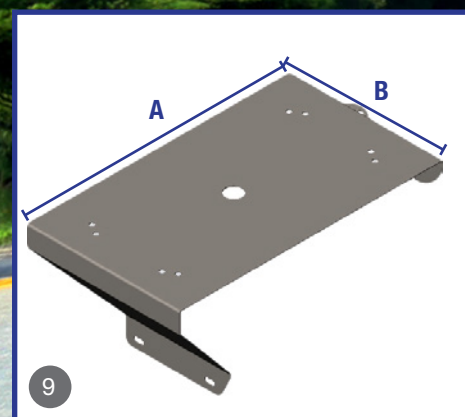
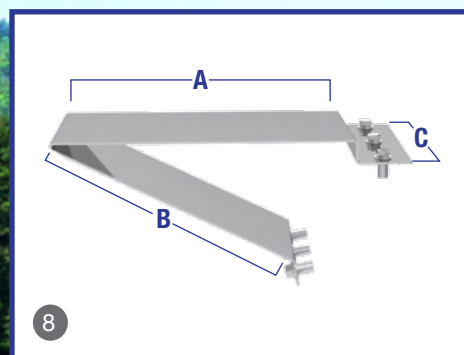
FIRE WALL LIGHT BAR

FIRE WALL LIGHT BAR						
SECTION	PARTS #	LIGHTS	FRONT LIGHT	REAR LIGHT	QTY	
4 12.6" Fire Wall Light Bar	S7932009-LEDF	10 x 2" round lights			PR	
5 15.5" Fire Wall Light Bar	S7932010-LEDB	8 x 2" round lights			PR	
6 13" Fire Wall Light Bar	S7932016-LED	8 x 2" round lights			PR	
7 12.5" Fire Wall Light Bar	S7932023-LEDB	6 x 2" round lights			PR	
8 17" Fire Wall Light Bar	S7932027-LEDF	12 x flatline lights			PR	
9 15.6" Fire Wall Light Bar	S7932029-LED	8 x bullseye lights			PR	
10 12.8" Fire Wall Light Bar	S7932031-LED	10 x bullseye lights			PR	
11 11" Fire Wall Light Bar	S7932034-LED	6 x bullseye lights			PR	
12 11" Fire Wall Light Bar	S7932035	24 x button LED lights	—	—	—	
15" Fire Wall Light Bar	S7932036	24 x button LED lights	—	—	—	
18" Fire Wall Light Bar	S7932037	24 x button LED lights	—	—	—	





IMAGINING  
WORKING  
SHINING



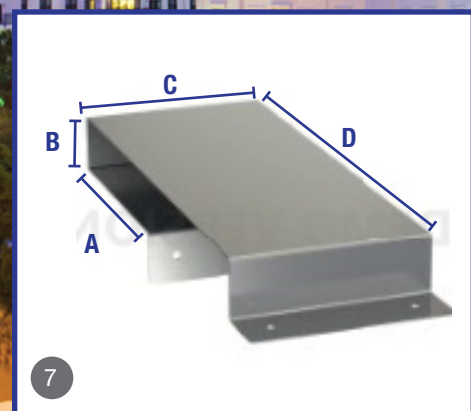
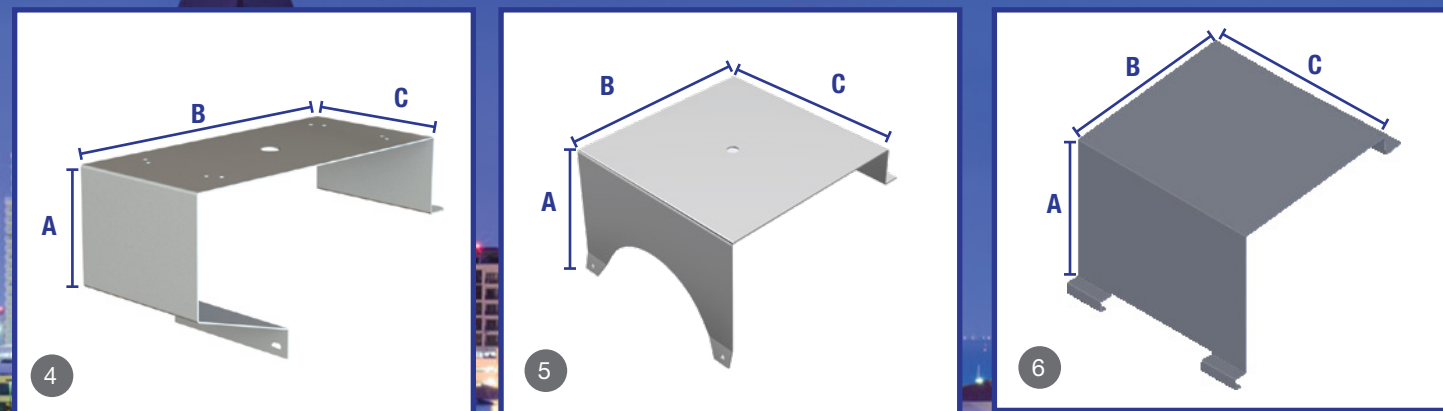
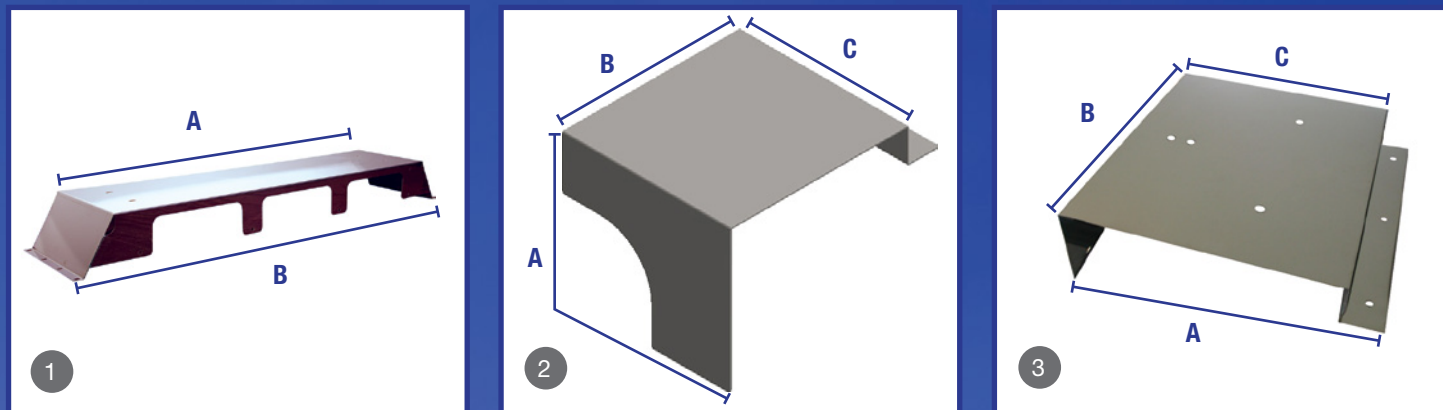
## REVOLVING LIGHT BRACKET

Peterbilt & Kenworth

REVOLVING LIGHT BRACKET - PETERBILT					
SECTION	PARTS #	MODELS	YEAR	QTY	
1	Strobe Light Bracket (A = 11" / B = 9")	<b>S7132060</b>	365-367-378-379-388-389	All years	PR
2	Strobe Light Bracket (A = 11" / B = 13.7")	<b>S7132061</b>	365-367-378-379-388-389	All years	PR
3	Strobe Light Bracket (A = 18" / B = 9")	<b>S7132095</b>	All Peterbilt Models 300 Series	All years	PR
4	Strobe Light Bracket (A = 18" / B = 13.7")	<b>S7132096</b>	All Peterbilt Models 300 Series	All years	PR
5	Strobe Light Bracket (A = 11" / B = 17.75")	<b>S7132253</b>	All High Roof 300 Series	All years	PR
6	Strobe Light Bracket (A = 10" / B = 9" / C = 11")	<b>S7132154</b>	All Day Cab Models 300 Series	2007 & up	PR
7	Strobe Light Bracket (A = 10.73" / B = 10" / C = 10.50")	<b>S7132256</b>	Model 320	2013 & up	PR
8	Strobe Light Bracket (A = 11.33" / B = 9.81" / C = 10")	<b>S7132257</b>	Model 210 - 220	2013 & up	PR

REVOLVING LIGHT BRACKET - KENWORTH					
SECTION	PARTS #	MODELS	YEAR	QTY	
9	Strobe Light Bracket (A = 11" / B = 9")	<b>S7232054</b>	All Kenworth Models	All years	PR
10	Strobe Light Bracket (A = 9.3" / B = 9.3" / C = 10")	<b>S7232058</b>	All Kenworth Models Ex: T680-T880-T2000	All years	PR
11	Strobe Light Bracket (A = 9.25" / B = 6.75" / C = 7")	<b>S7232070</b>	Kenworth T470 Dumper 12 Wheels	2010 & up	PR





## REVOLVING LIGHT BRACKET

Freightliner - International - Western Star - Mack - Volvo

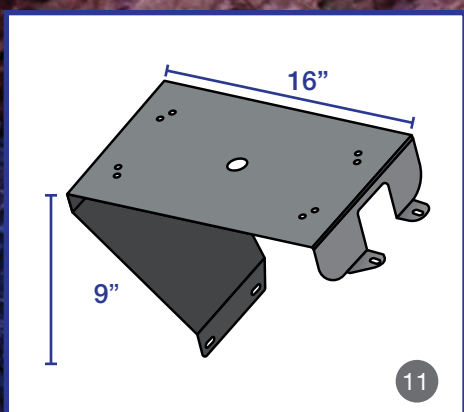
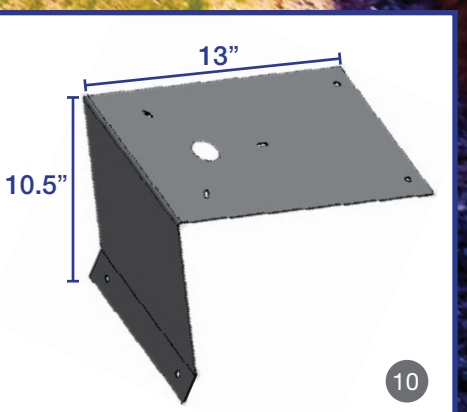
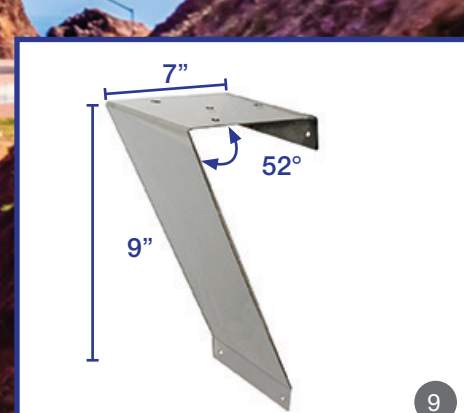
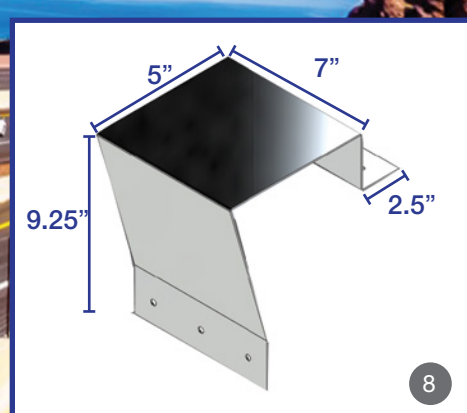
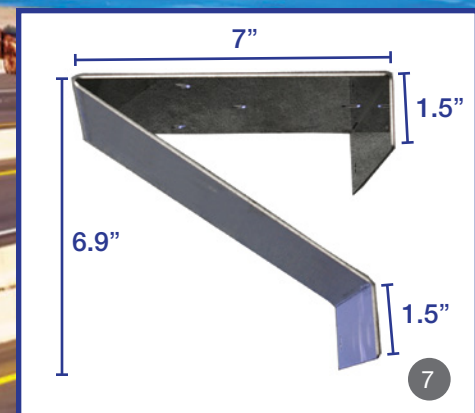
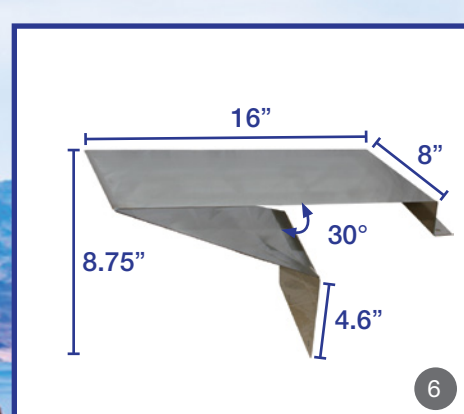
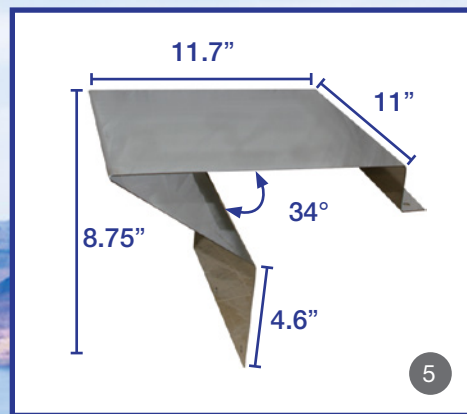
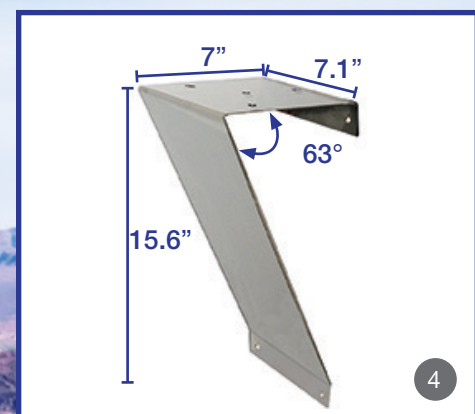
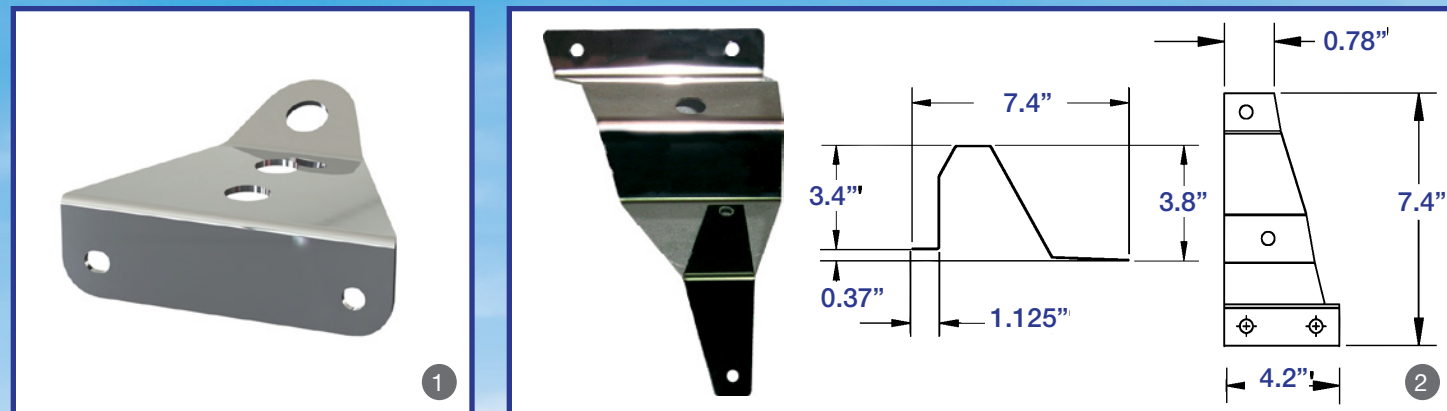
REVOLVING LIGHT BRACKET - FREIGHTLINER					
SECTION	PARTS #	MODELS	YEAR	QTY	
1	Strobe Light Bracket (A = 59.75" / B = 60.75")	<b>S7331501</b>	Freightliner 59.75" LG Classic day cab flat top	All years	Un
2	Strobe Light Bracket (A = 7" / B = 8" / C = 8.25")	<b>S7332127</b>	Freightliner 7" Columbia day cab	All years	PR

REVOLVING LIGHT BRACKET - INTERNATIONAL					
SECTION	PARTS #	MODELS	YEAR	QTY	
3	Strobe Light Bracket (A = 11" / B = 5.75" / C = 10")	<b>S7432060</b>	All International day cab	All years	PR
4	Strobe Light Bracket (A = 6.16" / B = 18.5" / C = 8")	<b>S7432063</b>	5900-9000 series International flat top day cab	2011 to 2017	PR

REVOLVING LIGHT BRACKET - WESTERN STAR					
SECTION	PARTS #	MODELS	YEAR	QTY	
5	Strobe Light Bracket (A = 6.46" / B = 11" / C = 11")	<b>S7532006</b>	All Western Star models	All years	PR

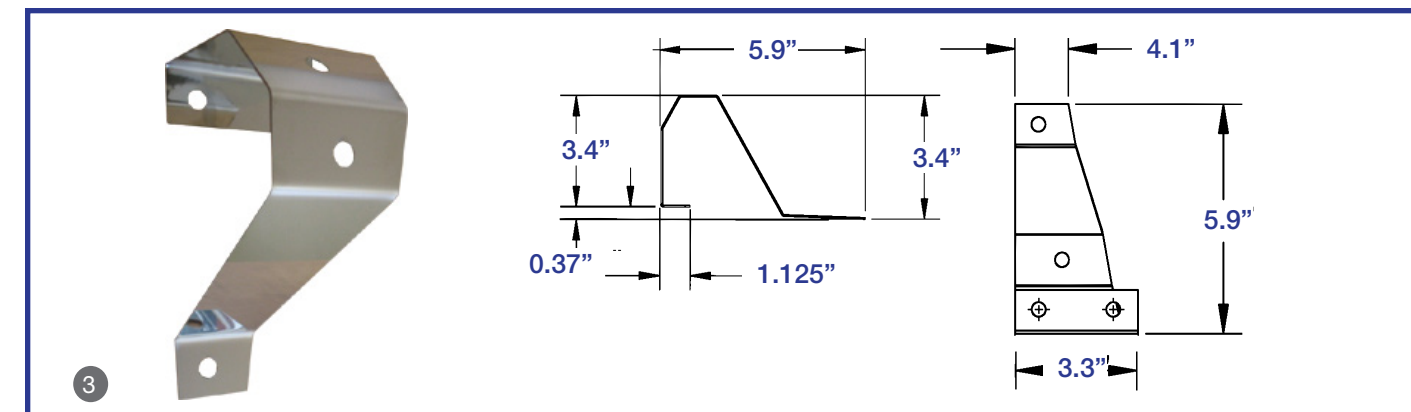
REVOLVING LIGHT BRACKET - MACK					
SECTION	PARTS #	MODELS	YEAR	QTY	
6	Strobe Light Bracket (A = 7" / B = 8.25" / C = 10")	<b>S7632060</b>	Granite-CT & CV flat top	2001 & up	PR

REVOLVING LIGHT BRACKET - VOLVO					
SECTION	PARTS #	MODELS	YEAR	QTY	
7	Strobe Light Bracket (A = 8" / B = 2.5" / C = 7" / D = 17")	<b>S7732026</b>	Volvo 17" x 7" VN300-VN630-VN670-VN730-VN780	2005 & up	PR



## BACK UP LIGHT BRACKET

Universal

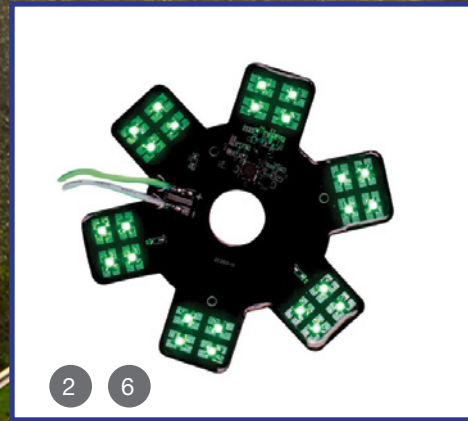
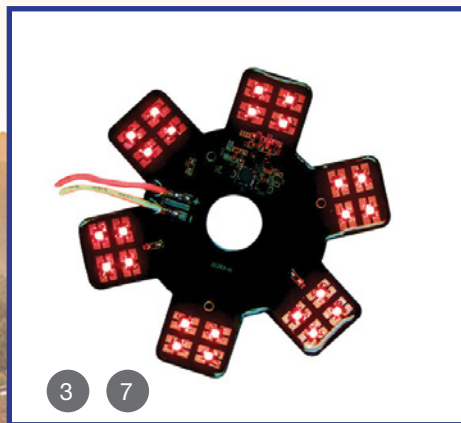
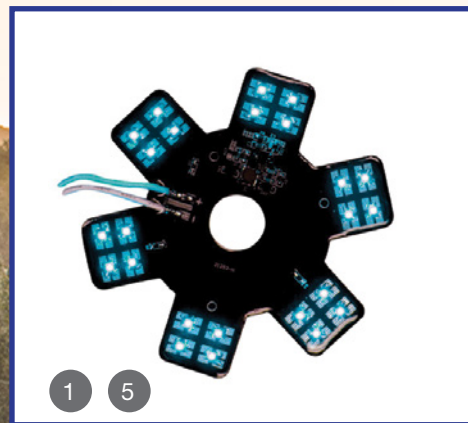


BACK UP LIGHT BRACKET - UNIVERSAL				
SECTION	PARTS #	MODELS	YEAR	QTY
1	S7152159	All models	All years	PR
2	S7952004	All models	All years	PR
3	S7952005	All models	All years	PR

## REVOLVING LIGHT BRACKET

Universal

REVOLVING LIGHT BRACKET - UNIVERSAL				
SECTION	PARTS #	MODELS	YEAR	QTY
4	S7932011	All models	All years	PR
5	S7932015	All models	All years	PR
6	S7932017	All models	All years	PR
7	S7932019	All models	All years	PR
8	S7932020	All models	All years	PR
9	S7932021	All models	All years	PR
10	S7932022	All models - For extended or sleeper	All years	PR
11	S7932024	All models	All years	PR



## AIR FILTER STAR

Universal models

**IMPORTANT NOTICE : DO NOT USE BRAKE CLEANER TO CLEAN SURFACE**

### AIR FILTER STAR - UNIVERSAL MODELS

	SECTION	PART #	DESCRIPTION
1	7.5" Blue Filter	R-AFS7.5B	Use for Donaldson filter © * Do not use brake cleaner to clean surface
2	7.5" Green Filter	R-AFS7.5G	Use for Donaldson filter © * Do not use brake cleaner to clean surface
3	7.5" Red Filter	R-AFS7.5R	Use for Donaldson filter © * Do not use brake cleaner to clean surface
4	7.5" Yellow Filter	R-AFS7.5Y	Use for Donaldson filter © * Do not use brake cleaner to clean surface
5	5" Blue Filter	R-AFS05-05B	Use for Vortox filter © * Do not use brake cleaner to clean surface
6	5" Green Filter	R-AFS05-05G	Use for Vortox filter © * Do not use brake cleaner to clean surface
7	5" Red Filter	R-AFS05-05R	Use for Vortox filter © * Do not use brake cleaner to clean surface
8	5" Yellow Filter	R-AFS05-05Y	Use for Vortox filter © * Do not use brake cleaner to clean surface

## TRAIN HORN

Universal models - all years

### TRAIN HORN - UNIVERSAL MODELS

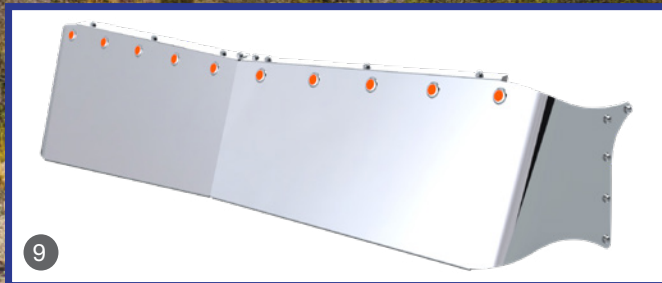
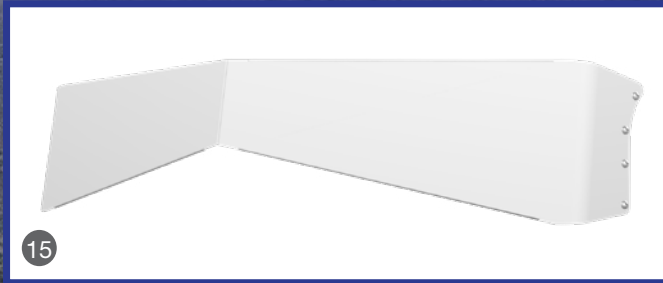
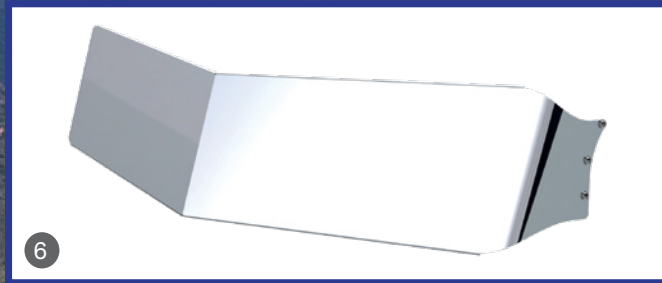
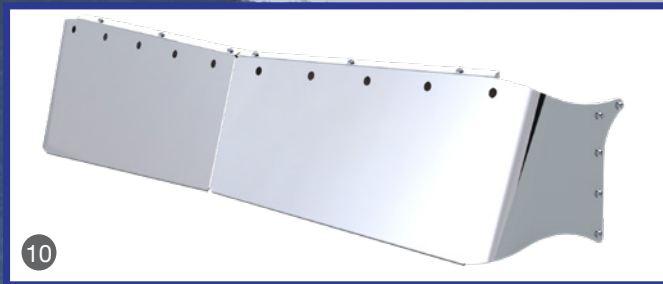
	SECTION	PART #	MODELS
9	3 Bells Train Horn (130 DB)	THORN-1	Fits all models
10	4 Bells Train Horn (145 DB)	THORN-2	Fits all models
11	Solenoid	THORN-SV	THORN-1 & 2

## STROBE LIGHT BRACKET

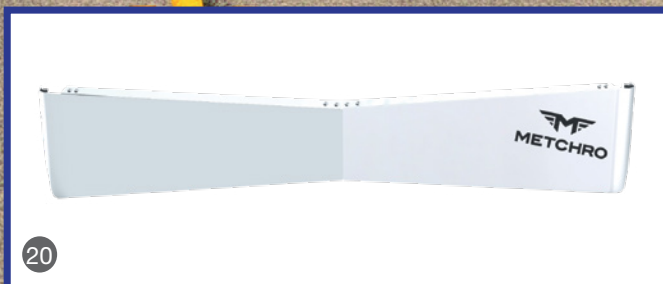
Universal model - all years

### STROBE LIGHT BRACKET

	SECTION	PART #	MODELS
13	Strobe Light Bracket	C7932038	Strobe Light Bracket 8" x 7" / SS430 - 14 ga



PROTECTIVE COVER OVER WIRES



## SUN VISORS

Universal models - all years

	PART #	DIMENSIONS	PROFILE	DESCRIPTION / COMPATIBILITY	GAUGE
	C7131040	12" x 8.5"	Drop Bowtie (Two Pieces)	PETERBILT 300 Series ULTRACAB / Flat top & mirrors on door / 1987 to 2004 / Blank	14 ga
	C7131062	14" x 11"	Drop Reverse Bowtie (Two Pieces)	PETERBILT 300 Series ULTRA CAB / Flat glass & mirror on cab / Long hood & without original visor / 2005 & up / Blank	14 ga
	C7131065	9.5" x 5.5"	Drop Bowtie (Two Pieces)	PETERBILT 359 1967 to 1987 / Flat roof / Blank	14 ga
	C7131067	9" x 5"	Drop Reverse Bowtie (Two Pieces)	PETERBILT 379 1987 to 2007 / Flat roof / Mirror on door / Blank	14 ga
5	S7131083	12"	Drop (Two Pieces)	PETERBILT 325, 330, 335, 337, 340, 347, 348, 357, 365, 367, 375, 377, 378, 379, 382, 384, 385, 386, 388, 389 1988-2024 / Flat glass 2 pieces / Flat or Ultra Cab / mirrors on doors or cab / Blank	14 ga
6	S7131084	12"	Drop (One Piece)	PETERBILT 325, 330, 335, 337, 340, 347, 348, 357, 365, 367, 375, 377, 378, 379, 382, 384, 385, 386, 388, 389 1988-2024 / Flat glass 2 pieces / Flat or Ultra Cab / Mirrors on doors or cab / Blank	14 ga
	S7231079	13" x 11"	Drop (Two Pieces)	KENWORTH W900B, W900L, T270, T370, T300, T400, T600, T660, T800 1998-2024 / Curved glass 1 or 2 pieces / Mirrors on cab / Blank	14 ga
8	S7231080	13" x 11"	Drop (One Piece)	KENWORTH W900B, W900L, T270, T370, T300, T400, T600, T660, T800 1998-2024 / Curved glass 1 or 2 pieces / Mirrors on cab / Blank	14 ga
9	S7231082	13" x 11"	Drop (One Piece)	KENWORTH W900B, W900L, T270, T370, T300, T400, T600, T660, T800 1998-2024 / Curved glass 1 or 2 pieces / Mirrors on cab / 10x 3/4" holes for LED lights	14 ga
10	S7231083	13" x 11"	Drop (Two Pieces)	KENWORTH W900B, W900L, T270, T370, T300, T400, T600, T660, T800 1998-2024 / Curved glass 1 or 2 pieces / Mirrors on cab / 10x 3/4" holes for LED lights	14 ga
	C7131076	11" x 7"	VIKING Bowtie (One Piece)	PETERBILT 389 2008 & up / Flat Top & ULTRACAB / Blank	16 ga
	C7131077	13" x 9"	VIKING Bowtie (One Piece)	PETERBILT 389 2008 & up / Flat Top & ULTRACAB / Blank	16 ga
	C7131078	7" x 11"	VIKING Drop Center (One Piece)	PETERBILT 389 2008 & up / Flat Top & ULTRACAB / Blank	16 ga
	C7131079	11" x 7"	VIKING Reverse Bowtie (One Piece)	PETERBILT 389 2008 & up / Flat Top & ULTRACAB / Blank	16 ga
15	C7131042	12" x 7"	Drop Bowtie (Two Pieces)	PETERBILT 300 Series ULTRACAB / Mirror on door, flat glass / 1987 to 2004 / Blank	18 ga
	C7131066	13" x 11"	Drop Reverse Bowtie (Two Pieces)	PETERBILT 300 Series ULTRACAB / Flat Top, Flat Glass & Mirror on Door / 1987 to 2004 / Blank	18 ga
	C7131069	11" x 7"	VIKING Bowtie (One Piece)	PETERBILT 389 2008 & up / Flat Top & ULTRACAB / Blank	18 ga
18	C7131071	13" x 9"	VIKING Bowtie (One Piece)	PETERBILT 389 2008 & up / Flat Top & ULTRACAB / Blank	18 ga
19	C7131072	7" x 11"	VIKING Drop Center (One Piece)	PETERBILT 389 2008 & up / Flat Top & ULTRACAB / Blank	18 ga
20	C7131073	7" x 11"	VIKING Drop Center (One Piece)	PETERBILT 389 2008 & up / Flat Top & ULTRACAB / Blank	18 ga
	S7231081	8.5"	Drop	KENWORTH T880 Day Cab with Sleeper / T680 Day Cab 2012 & up / 5x holes for oval LED lights	18 ga

### SUN VISORS

SECTION	PART #	MODELS
Central Sun Visor Stabilization Bracket	C7931001	Fits all models



24" MUD FLAP WEIGHT

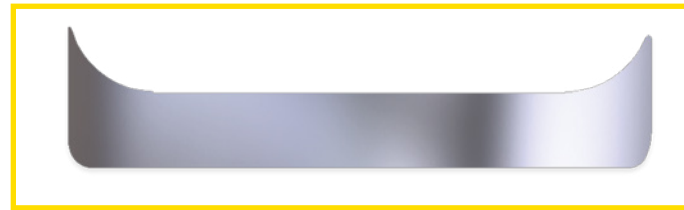
6" long horn



1



4



2



5



3

**430 GRADE STAINLESS STEEL 14 GA**

\*Available on demand for 304 grade Stainless Steel mirror finish

24" MUD FLAP WEIGHT

DESCRIPTION	PARTS #	LOGO	WELDED STUDS	BOLTED KIT	QTY
1 6" Long Horn - Hardware Included	<b>C7972033</b>	Blank		●	PR
2 6" Long Horn - Hardware Included	<b>C7972030</b>	Blank	●		PR
3 6" Long Horn - Hardware Included	<b>C7972041</b>	Kenworth		●	PR
4 6" Long Horn - Hardware Included	<b>C7972048</b>	International		●	PR
5 6" Long Horn - Hardware Included	<b>C7972044</b>	Mack		●	PR
6" Long Horn - Hardware Included	<b>C7972107</b>	Freightliner		●	PR
6" Long Horn - Hardware Included	<b>C7172108</b>	Peterbilt		●	PR
6" Long Horn - Hardware Included	<b>C7972109</b>	Volvo		●	PR
6" Long Horn - Hardware Included	<b>C7972104</b>	Western Star		●	PR



## 24" MUD FLAP WEIGHT

6" long horn with angle & rectangular



### 24" MUD FLAP WEIGHT

	DESCRIPTION	PARTS #	LOGO	WELDED STUDS	BOLTED KIT	QTY
1	6" Long Horn with Angle - Hardware Included	<b>C7972032</b>	Blank		●	PR
2	6" Long Horn with Angle - Hardware Included	<b>C7972029</b>	Blank	●		PR
3	6" Long Horn with Angle - Hardware Included	<b>C7972040</b>	Kenworth		●	PR
4	6" Long Horn with Angle - Hardware Included	<b>C7972047</b>	International		●	PR
5	6" Long Horn with Angle - Hardware Included	<b>C7972043</b>	Mack		●	PR
	6" Long Horn with Angle - Hardware Included	<b>C7972110</b>	Freightliner		●	PR
	6" Long Horn with Angle - Hardware Included	<b>C7172111</b>	Peterbilt		●	PR
	6" Long Horn with Angle - Hardware Included	<b>C7972112</b>	Volvo		●	PR
	6" Long Horn with Angle - Hardware Included	<b>C7972113</b>	Western Star		●	PR



### 24" MUD FLAP WEIGHT

	DESCRIPTION	PARTS #	LOGO	WELDED STUDS	BOLT KIT	QTY
10	Rectangular - Hardware Included	<b>C7972034</b>	Blank		●	PR
11	Rectangular - Hardware Included	<b>C7972031</b>	Blank	●		PR
12	Rectangular - Hardware Included	<b>C7972042</b>	Kenworth		●	PR
13	Rectangular - Hardware Included	<b>C7972049</b>	International		●	PR
14	Rectangular - Hardware Included	<b>C7972045</b>	Mack		●	PR
	Rectangular - Hardware Included	<b>C7372006</b>	Freightliner		●	PR
	Rectangular - Hardware Included	<b>C7172004</b>	Peterbilt		●	PR
	Rectangular - Hardware Included	<b>C7972105</b>	Volvo		●	PR
	Rectangular - Hardware Included	<b>C7972103</b>	Western Star		●	PR

**430 GRADE STAINLESS STEEL 14 GA**

\*Available on demand for 304 grade  
Stainless Steel mirror finish





## 24" - 18" - 12" MUD FLAP WEIGHT

Narrow ends

24" MUD FLAP WEIGHT						
	DESCRIPTION	PARTS #	LOGO	WELDED STUDS	BOLT KIT	QTY
1	Narrow ends - Hardware Included	C7972020	Blank		●	PR
2	Narrow ends - Hardware Included	C7972023	Blank	●		PR
3	Narrow ends - Hardware Included	C7972094	Kenworth		●	PR
4	Narrow ends - Hardware Included	C7472097	International		●	PR
ⓧ	Narrow ends - Hardware Included	C7972096	Mack		●	PR
ⓧ	Narrow ends - Hardware Included	C7972095	Freightliner		●	PR
7	Narrow ends - Hardware Included	C7172002	Peterbilt		●	PR
ⓧ	Narrow ends - Hardware Included	C7972106	Volvo		●	PR
ⓧ	Narrow ends - Hardware Included	C7972102	Western Star		●	PR

18" MUD FLAP WEIGHT						
	DESCRIPTION	PARTS #	LOGO	WELDED STUDS	BOLT KIT	QTY
5	Angled - Hardware Included	7972026-S	Blank		●	PR
6	Angled - Hardware Included	7972027-S	Blank	●		PR

12" MUD FLAP WEIGHT						
	DESCRIPTION	PARTS #	LOGO	WELDED STUDS	BOLT KIT	QTY
7	Angled - Hardware Included	7972021-S	Blank		●	PR
8	Angled - Hardware Included	7972024-S	Blank	●		PR

**430 GRADE STAINLESS STEEL 14 GA**

\*Available on demand for 304 grade  
Stainless Steel mirror finish



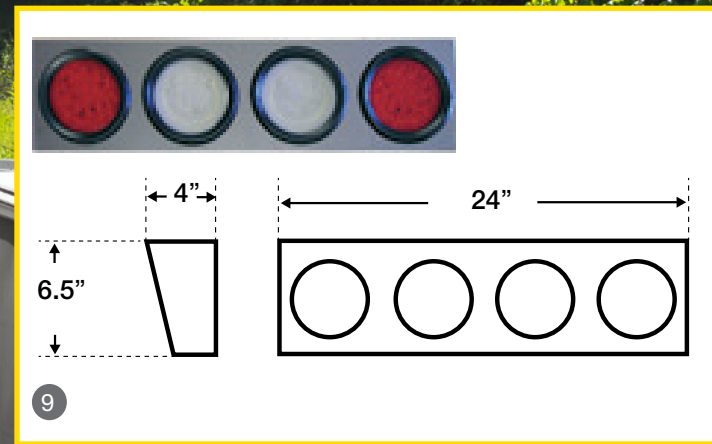
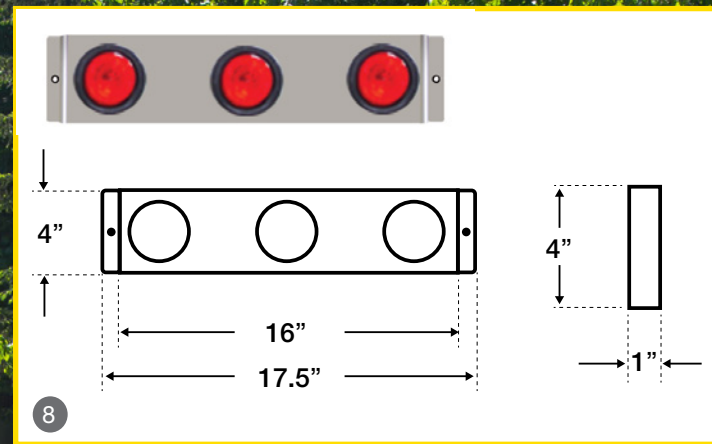
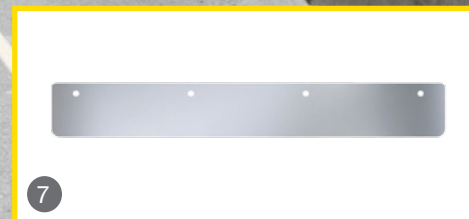
24" x 4" MUD FLAP WEIGHT

Angled

24" MUD FLAP WEIGHT					
	DESCRIPTION	PARTS #	LOGO	BOLTED KIT	QTY
1	Angled - Hardware & Back Reinforcement Plate Included	C7972064	Blank	●	PR
2	Angled - Hardware & Back Reinforcement Plate Included	C7972065	Freightshaker	●	PR
3	Angled - Hardware & Back Reinforcement Plate Included	C7972066	Cow Mobiling	●	PR
4	Angled - Hardware & Back Reinforcement Plate Included	C7972067	Here Kitty	●	PR
5	Angled - Hardware & Back Reinforcement Plate Included	C7972068	Pete	●	PR
6	Angled - Hardware & Back Reinforcement Plate Included	C7972069	Flame	●	PR
7	Angled - Hardware & Back Reinforcement Plate Included	C7972070	Back Off	●	PR
8	Angled - Hardware & Back Reinforcement Plate Included	C7972071	Git'er Chromed	●	PR
9	Angled - Hardware & Back Reinforcement Plate Included	C7972072	Git'er Dun	●	PR
10	Angled - Hardware & Back Reinforcement Plate Included	C7972073	Petercar	●	PR
11	Angled - Hardware & Back Reinforcement Plate Included	C7972074	\$ \$ \$ \$	●	PR
12	Angled - Hardware & Back Reinforcement Plate Included	C7972075	Chicken Mobiling	●	PR
13	Angled - Hardware & Back Reinforcement Plate Included	C7972076	Largecar	●	PR
14	Angled - Hardware & Back Reinforcement Plate Included	C7972077	3 Crosses	●	PR
15	Angled - Hardware & Back Reinforcement Plate Included	C7972078	U.S. Marines	●	PR
16	Angled - Hardware & Back Reinforcement Plate Included	C7972079	Century	●	PR
17	Angled - Hardware & Back Reinforcement Plate Included	C7972080	Fish Jesus Sign	●	PR
18	Angled - Hardware & Back Reinforcement Plate Included	C7972081	Pow / Mia	●	PR
19	Angled - Hardware & Back Reinforcement Plate Included	C7972082	U.S. Army	●	PR
20	Angled - Hardware & Back Reinforcement Plate Included	C7972083	U.S. Navy	●	PR
21	Angled - Hardware & Back Reinforcement Plate Included	C7972100	Go Woke Go Broke	●	PR
22	Back Reinforcement Plate	C7972064-U01	—	—	PR



MUD FLAP HANGER



LEGEND

4" ROUND		RECTANGULAR		OBLONG		FLATLINE	
LED	LEDB	LEDCB	LED	LEDC	LEDB	LEDC	LEDF
							LEDFC

MUD FLAP HANGER

SECTION	PART #	LIGHTS	COLOR	SIZE
1	C7972010-SLEDB	3 x 4" round lights	●	29.8" x 7"
2	C7972011-SLEDB	3 x 6 1/2" x 2 1/4" Oblong lights	●	29.8" x 7"
3	C7972012-SLED	3 x 5" x 3" rectangular lights	●	29.8" x 7"
4	C7972056-CRW1	Flatline	● ○	29.8" x 7"
5	C7972051-LEDB	3 x 6 1/2" x 2 1/4" oval lights	● ○	29.8" x 7"
6	C7972085-LED	3 x 4" round lights	●	32.125" x 7"
7	C7972093	6 x 4" LED Lights / holes only	—	32.125" x 7"
8	C7972093-LED	6 x 4" LED Lights	●	32.125" x 7"
9	C7972093-LEDB	6 x 4" LED Lights with bezel	●	32.125" x 7"
	C7972093-LEDC	6 x 4" LED Lights	○	32.125" x 7"
	C7972093-LEDCB	6 x 4" LED Lights with bezel	○	32.125" x 7"
	C7972093-LEDF	6 x 4" Flat Line LED Lights	●	32.125" x 7"
	C7972093-LEDFC	6 x 4" Flat Line LED Lights	○	32.125" x 7"
	C7972038	Blank	—	24" x 3.25"

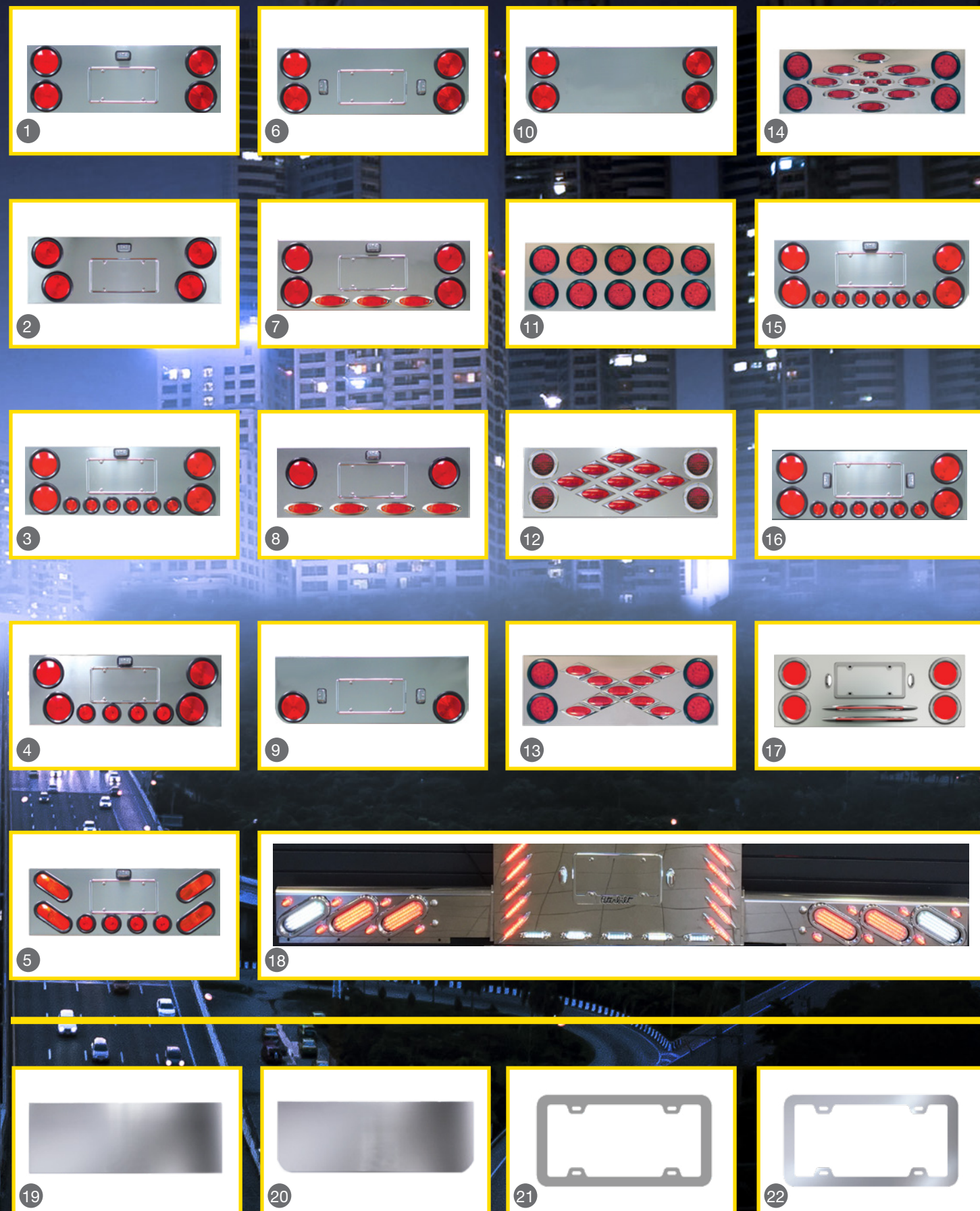
REAR FRAME CENTER PANEL LIGHTS

REAR FRAME CENTER PANEL LIGHTS

SECTION	PART #	LIGHTS	COLOR	SIZE
	S7971027-LED	3 x 2" round lights	●	17.5" x 4"
	S7971014-LED	4 x 4" round lights	● ○	24" x 6.5" x 4"

### CENTER BACK PANEL & CENTER BACK PANEL COVER

Fit on all models



#### LEGEND - BACK UP LIGHT AVAILABLE

2" ROUND			BULLSEYE		OVAL / FLATLINE			
LED	LEDB	LEDCB	LED	LEDC	LED	LEDC	LEDF	LEDFC

#### CENTER BACK PANEL

	DESCRIPTION	PART #	LIGHTS COLOR	LICENCE PLATE FRAME
1	34" x 12.5" Center Back Panel	S7971004-LED		Included
2	34" x 12.5" Center Back Panel	S7971005-LED		Included
3	34" x 12.5" Center Back Panel	S7971006-LED		Included
4	34" x 12.5" Center Back Panel	S7971007-LED		Included
5	34" x 12.5" Center Back Panel	S7971008-LED		Included
6	34" x 12.5" Center Back Panel	7971009-LED		Included
7	34" x 12.5" Center Back Panel	S7971010-LED		Included
8	34" x 12.5" Center Back Panel	S7971011-LED		Included
9	33.5" x 12" Center Back Panel	7971016-LED		Included
10	33.5" x 12" Center Back Panel	7971024-LED		—
11	34" x 12.5" Center Back Panel	S7971031-LED		—
12	34" x 12.5" Center Back Panel	S7971032-LEDB		—
13	34" x 12.5" Center Back Panel	S7971033-LED		—
14	34" x 12.5" Center Back Panel	S7971036-LED		—
15	34" x 12.5" Center Back Panel	7971054-LED		Included
16	34" x 12.5" Center Back Panel	S7971080-LED		Included
17	34" x 12.5" Center Back Panel	S7971094-LEDB		Included
18	1 x Back panel & 2 x Mud Flap Hagner	C7973001-LEDFC		Included

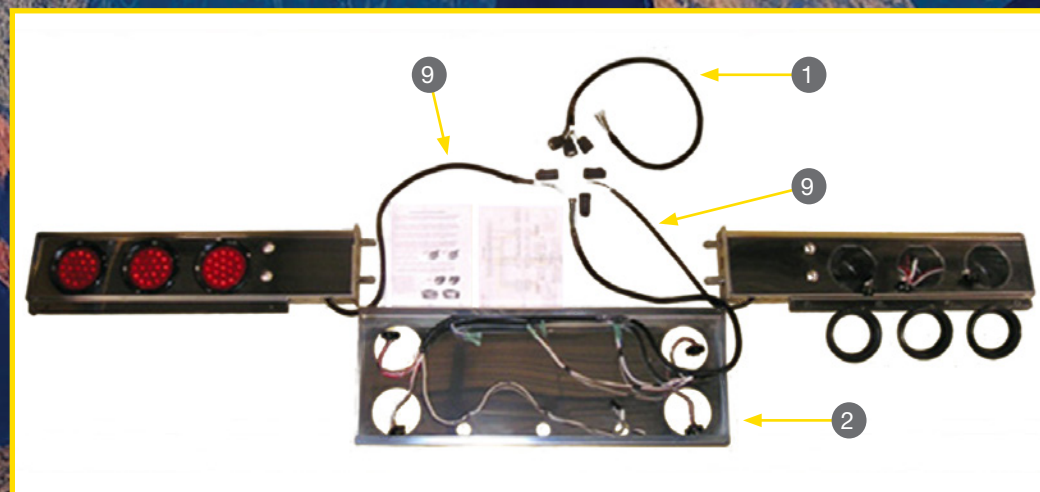
#### CENTER BACK PANEL COVER

RECOMMENDED WITH THE INSTALLATION OF REAR CENTER PANEL

	SECTION	PART #
19	Blank Center Back Panel Cover Fit on all models - recommended with the installation of rear center panel	S7971004-LED
20	Blank Center Back Panel Cover Fit on all models - recommended with the installation of rear center panel	S7971005-LED
21	PLASTIC - Licence Plate Frame	TML-LLFRAME
22	METAL - Licence Plate Frame	MET-LLFRAME

## HARNESSES

Available for each model of panel



### LEGEND - BACK UP LIGHT AVAILABLE

2" ROUND		BULLSEYE		FLATLINE	
LED	LEDB	LEDCB	LED	LEDC	LEDF

HARNESSES				
	DESCRIPTION	PART #	MODELS	YEAR
1	Principal Truck Harness	7971000-FIL	All models	All years
2	Center Back Panel Harness For S7971004 & S7971005	7971004-5-FIL	All models	All years
	Center Back Panel Harness For S7971006	7971006-FIL	All models	All years
	Center Back Panel Harness For S7971007	7971007-FIL	All models	All years
	Center Back Panel Harness For S7971008	7971008-FIL	All models	All years
	Center Back Panel Harness For S7971009	7971009-FIL	All models	All years
	Center Back Panel Harness For S7971010	7971010-FIL	All models	All years
	Center Back Panel Harness For S7971011	7971011-FIL	All models	All years
9	Mud Flap Hanger Harness - 6 Contacts For 7972010 / 7972011 / 7972012	79720101112-FIL	All models	All years

\* Instruction included

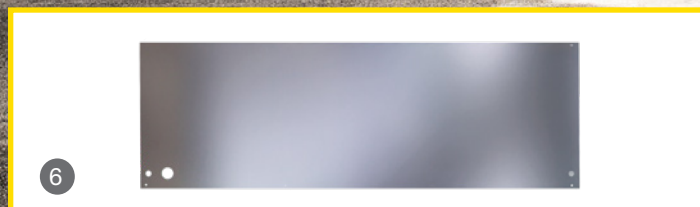
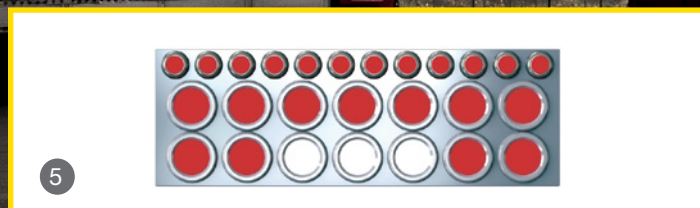
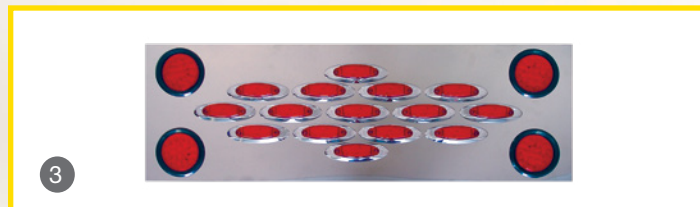
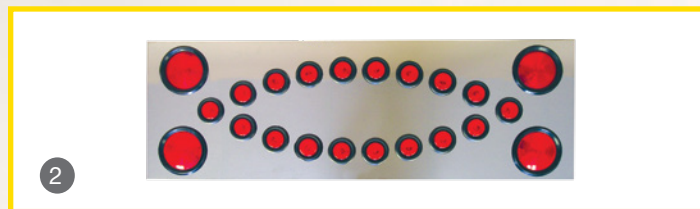
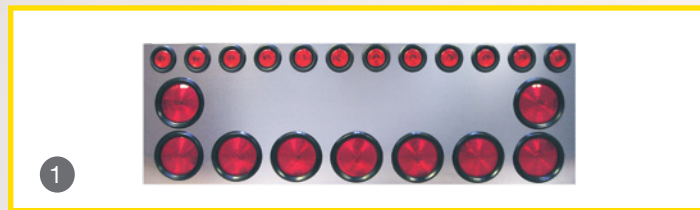
## STROBE LIGHT BRACKET

Universal models

STROBE LIGHT BRACKET		
SECTION	PART #	DESCRIPTION
Strobe Light Bracket	C7932038	Strobe Light Bracket 8" x 7" / SS430 - 14 ga

WIDE BACK PANELS

Fit on all models



LEGEND - BACK UP LIGHT AVAILABLE

2" ROUND			4" ROUND			OVAL-GEN		OBLONG	
LED	LEDB	LEDCB	LED	LEDB	LEDCB	LED	LEDC	LEDB	LEDC

WIDE BACK PANELS

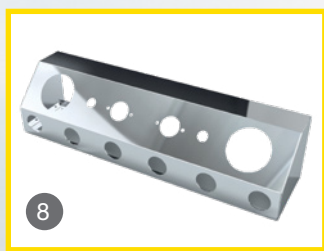
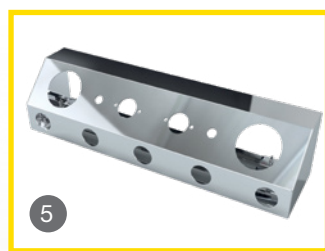
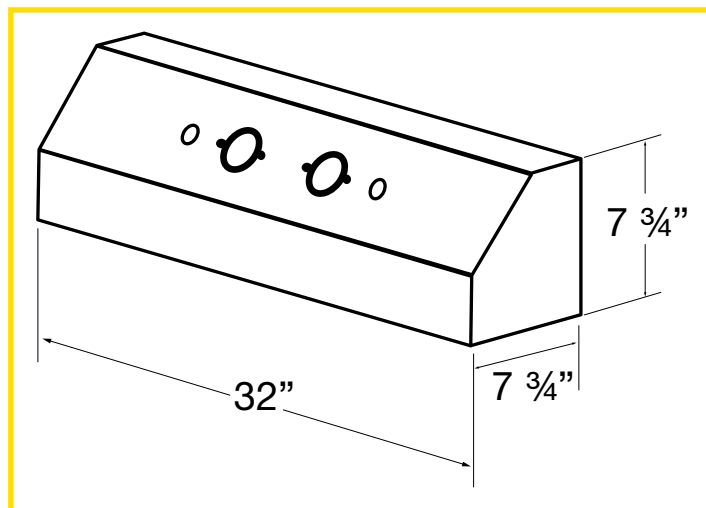
SECTION	PART #	LIGHTS COLOR	DESCRIPTION
1	S7971057-LED		Custom light setup are also available
2	S7971058-LED		Custom light setup are also available
3	S7971059-LED		Custom light setup are also available
4	S7971061-LEDB		Custom light setup are also available
5	S7971101-LEDB		Custom light setup are also available Wide back panel & back cover included

WIDE CENTER BACK PANEL

WIDE CENTER BACK PANELS

DESCRIPTION	PART #	LIGHTS
6 45.5" x 15.5" - Blank Center Wide Back Panel Cover	S7971003	Recommended with the installation of rear center panel





## AIR LINE BOX

Universal models that fit on every trucks models

AIR LINE BOX					
	PART #	SIZE	DESCRIPTION	LIGHTS	BACK COVER
1	C7971035	32" x 7.75"	2 Air line connections & 2 electrical outlet w/o light	Blank	Included
2	C7971037	32" x 7.75"	NO Air line connection & 1 electrical outlet w/o light	Blank	Included
3	C7971086	32" x 7.75"	2 Air line connections & 2 electrical outlets with 3 holes for oval LED lights	Holes only	Included
4	C7971089	32" x 7.75"	2 Air line connections & 2 electrical outlet w/o light	Blank	Not included
5	C7971090	32" x 7.75"	2 Air line connections & 2 electrical outlets with 2 holes for 4" LED lights & 5 holes for 2" LED lights	Holes only	Included
6	C7971090-LEDB	32" x 7.75"	2 Air line connections & 2 electrical outlets with 2x 4" LED lights & 5x 2" LED lights	LED lights kit included	Included
7	C7971093	32" x 7.75"	2 Air line connections & 2 electrical outlets with 2 holes for 4" round LED lights	Holes only	Included
8	C7971093-LEDB	32" x 7.75"	2 Air line connections & 2 electrical outlets with 2x 4" round LED lights	LED lights kit included	Included
9	C7971095	32" x 7.75"	2 Air line connections & 2 electrical outlets with 2 holes for 4" LED lights & 6 holes for 2" LED lights	Holes only	Included
10	C7971095-LEDB	32" x 7.75"	2 Air line connections & 2 electrical outlets with 2x 4" LED lights & 6x 2" LED lights	LED lights kit included	Included
11	C7971102	32" x 7.75"	1 Air line connection & 1 electrical outlet with 2 holes for 4" LED lights & 5 holes for 2.5" LED lights	Holes only	Blank & BC included
12	C7971102-LEDB	32" x 7.75"	1 Air line connection & 1 electrical outlet with 2 holes with 2x 4" round LED lights & 5x 2.5 LED lights	LED lights kit included	Included
13	C7971106	32" x 7.75"	2 Air line connection & 1 electrical outlet w/o light	Blank	Included
14	C7971110	34" x 10.5" x 10"	2 Air line connections with 2x Water-Melon LED lights holes	Holes only	Included
15	C7971113	34" x 10.5" x 10"	2 Air line connections & 2 electrical outlet (standard and small) with 5x Water-Melon LED Lights holes	Holes only	Included

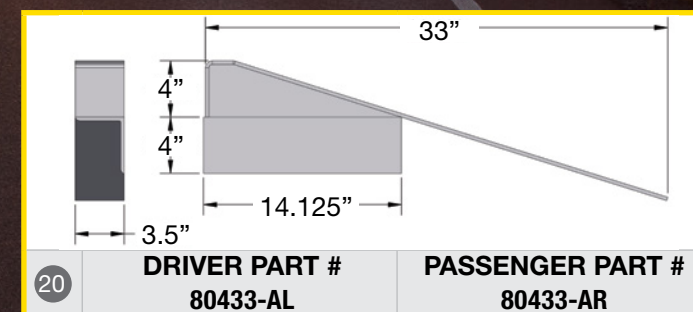
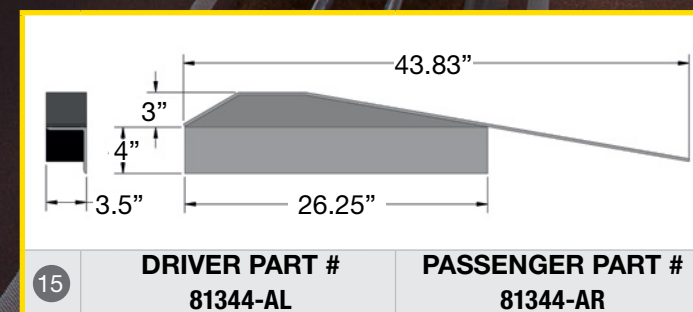
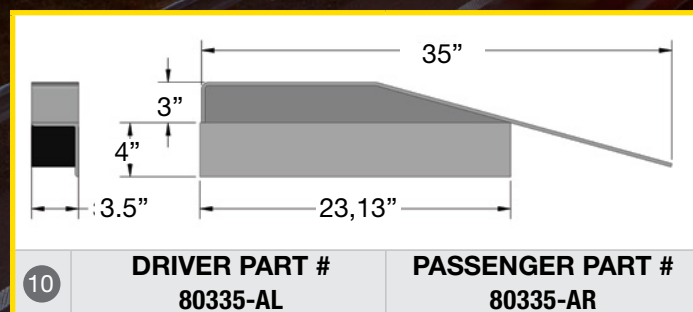
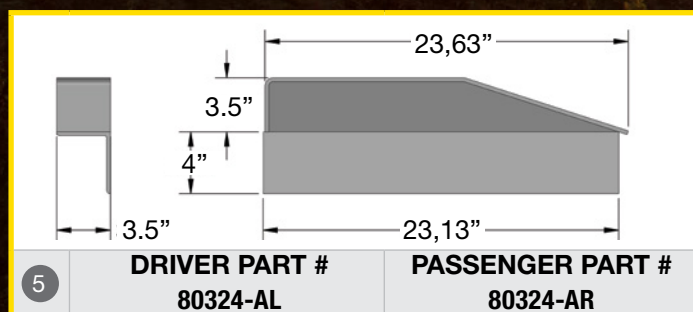
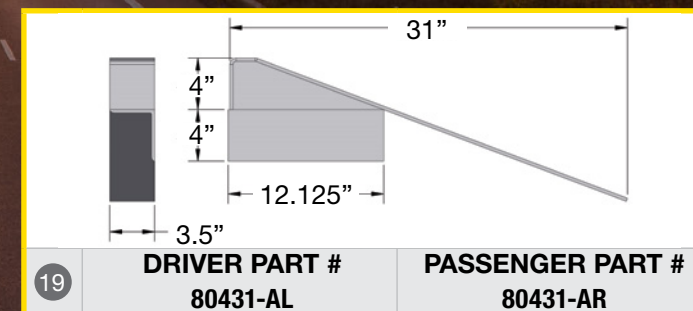
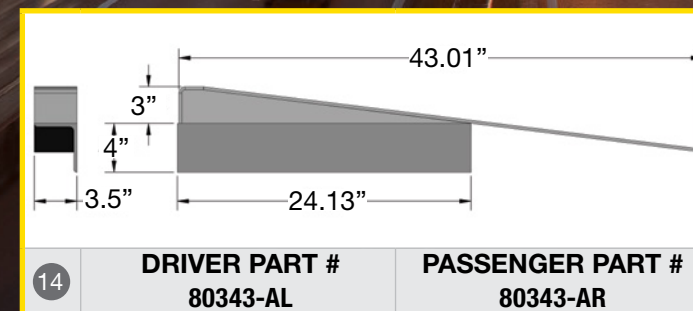
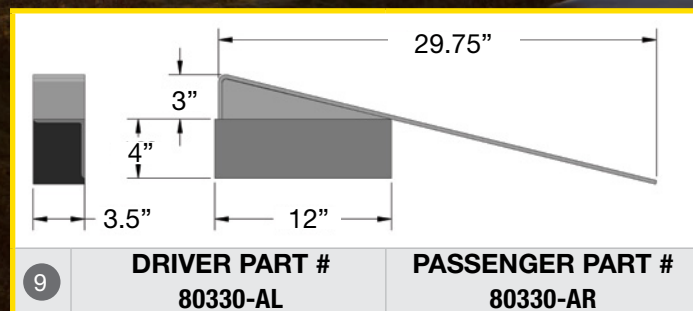
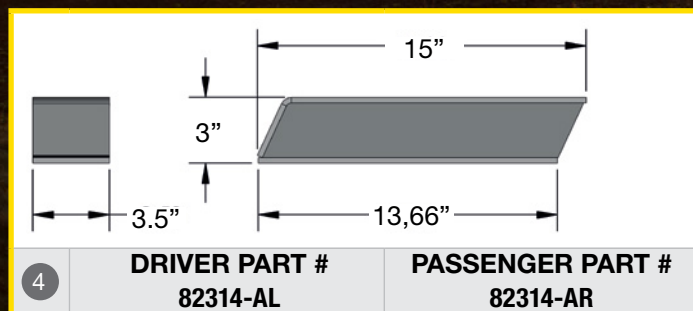
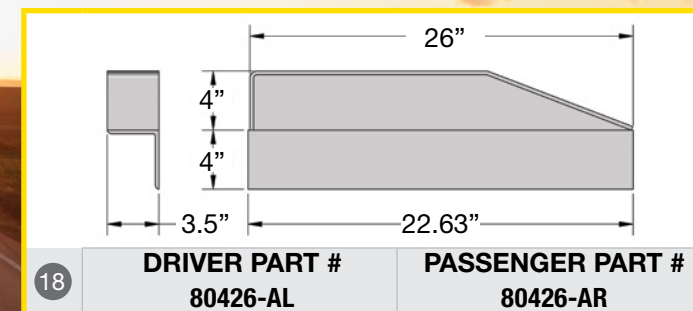
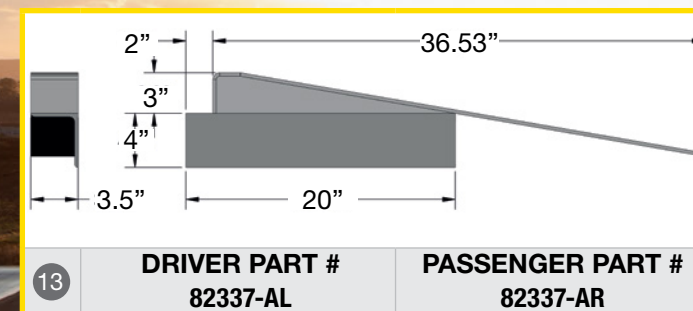
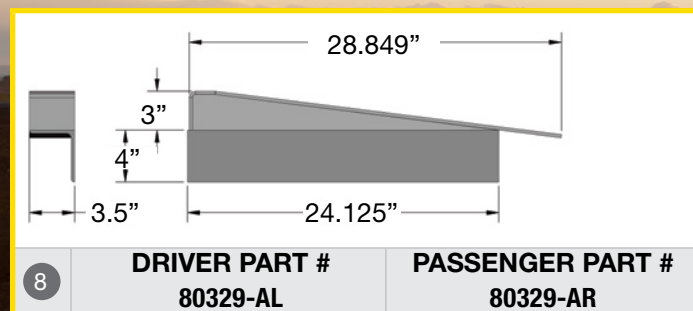
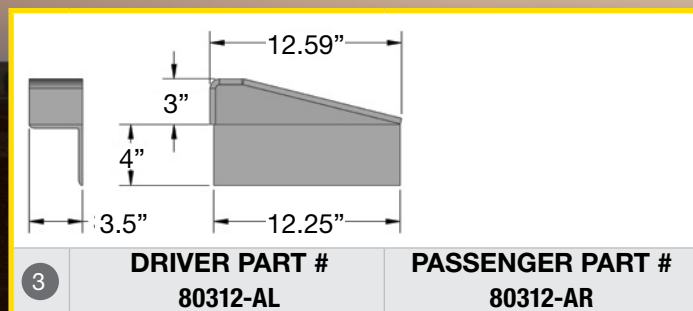
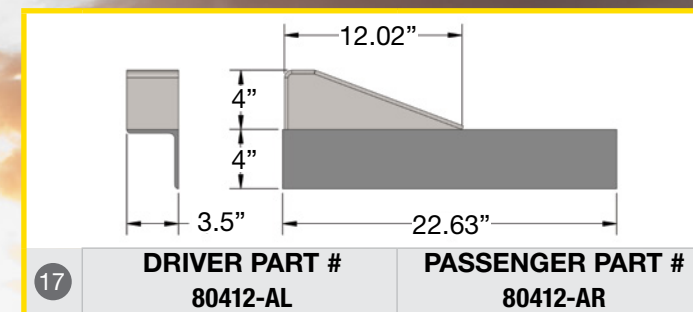
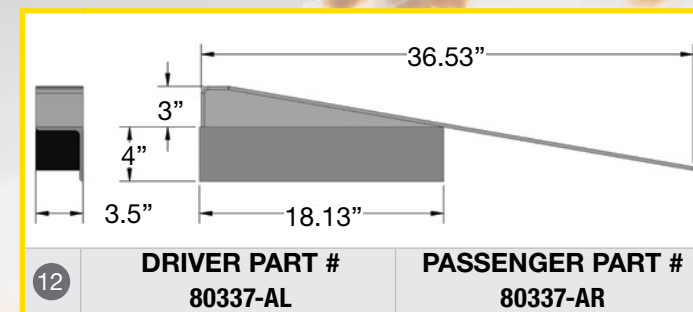
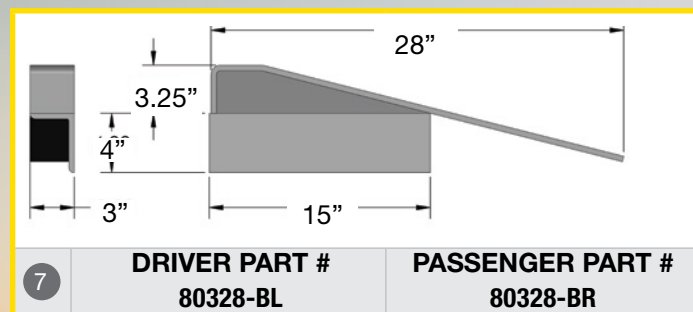
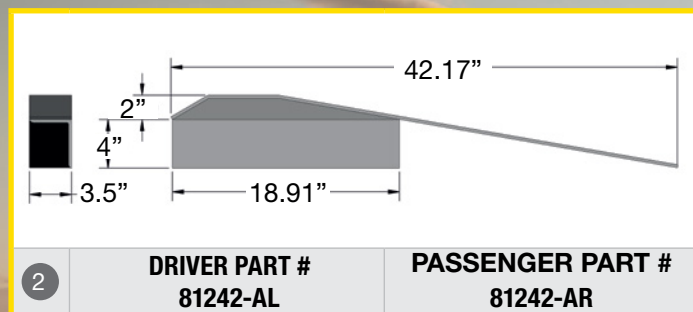
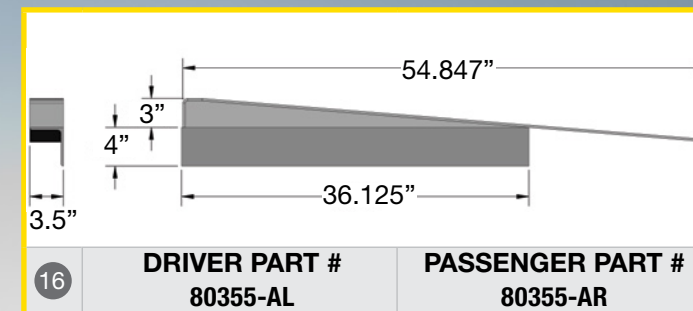
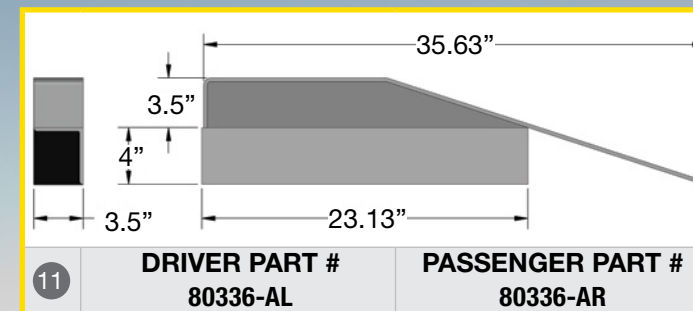
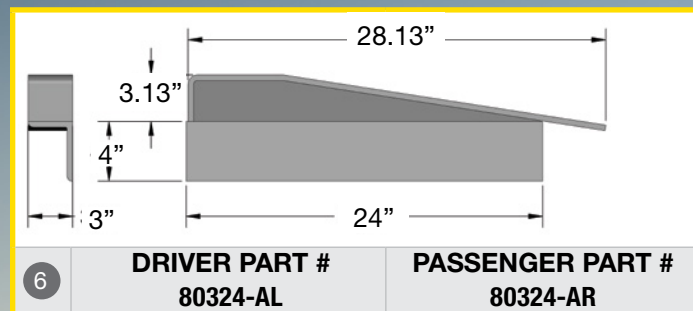
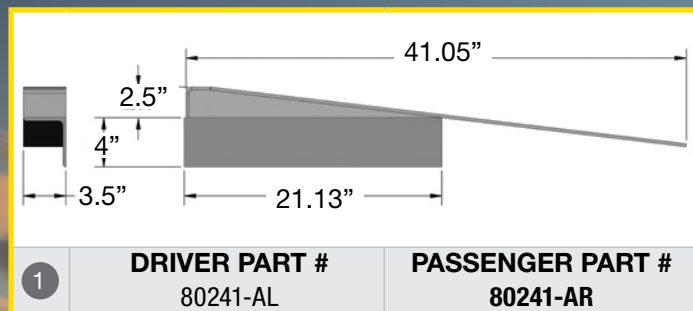
## DECK PLATES

Universal models

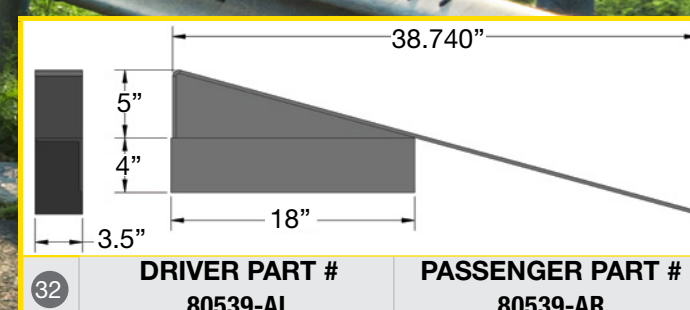
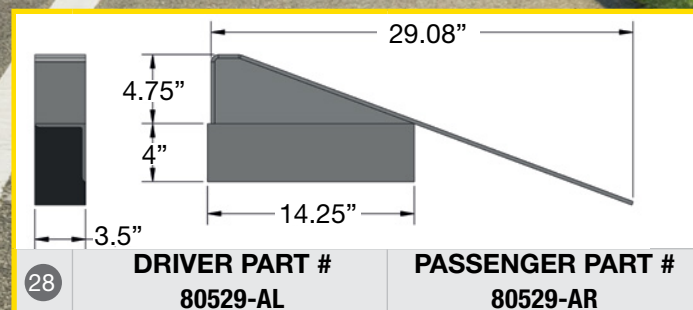
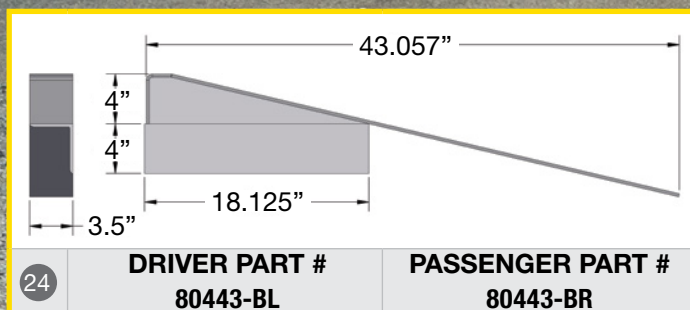
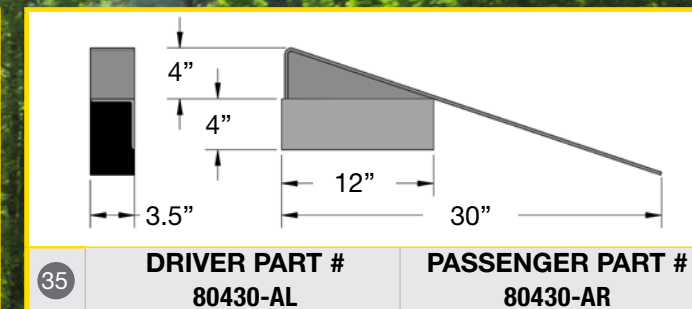
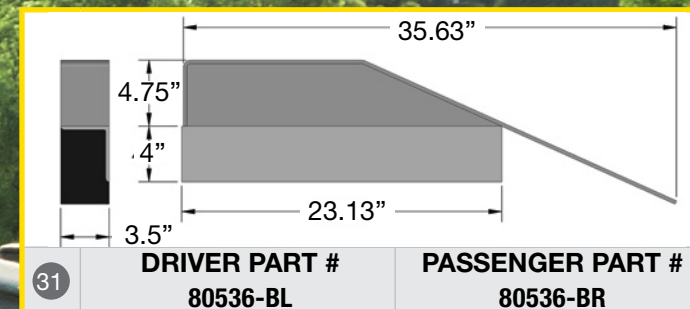
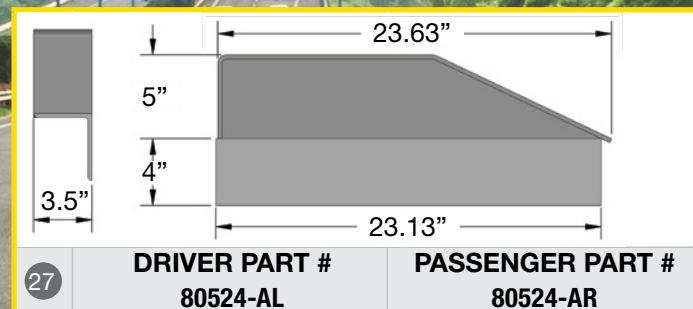
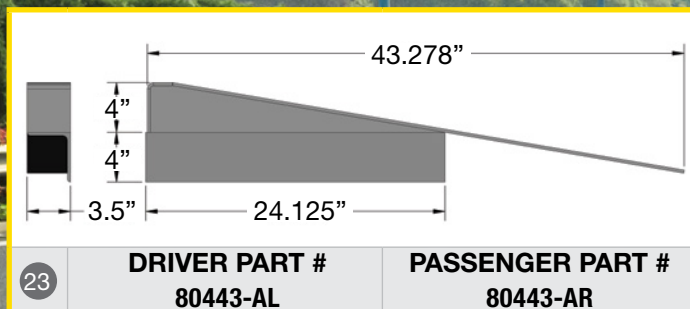
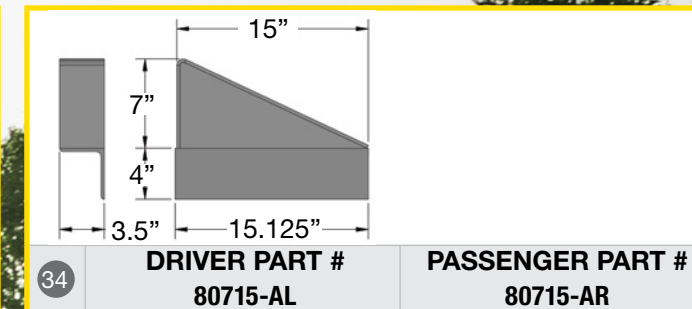
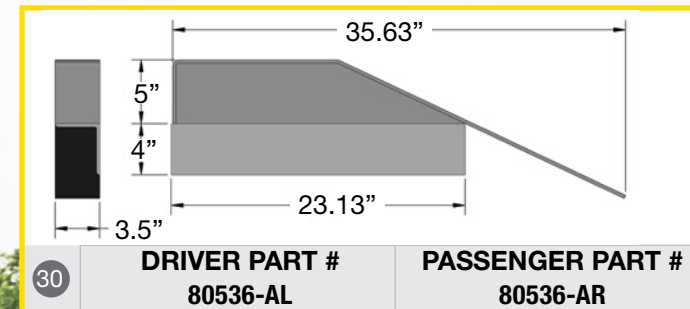
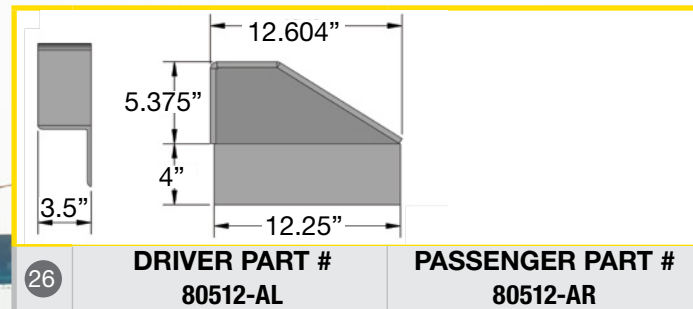
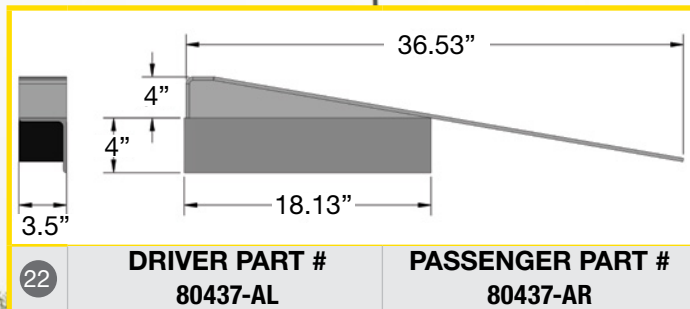
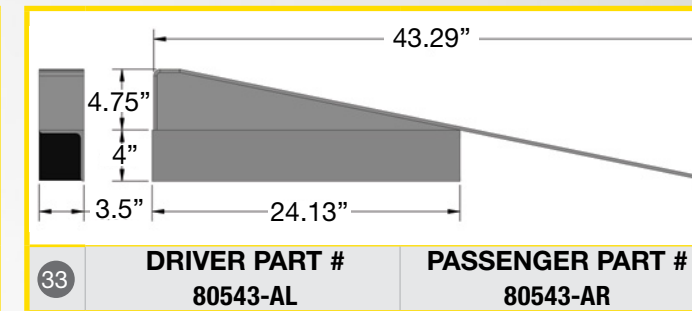
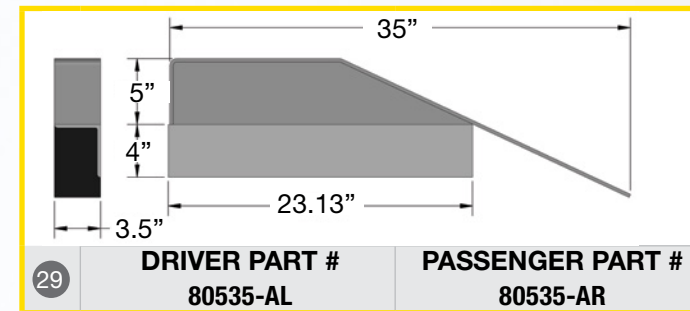
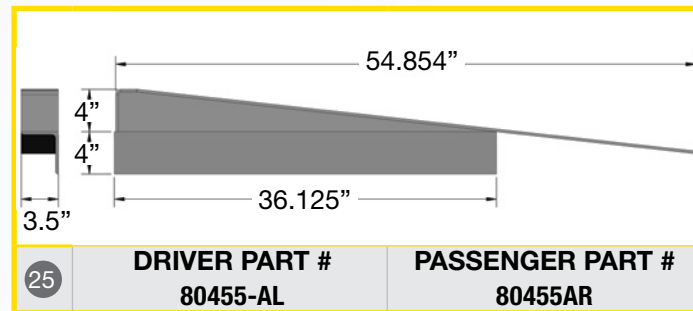
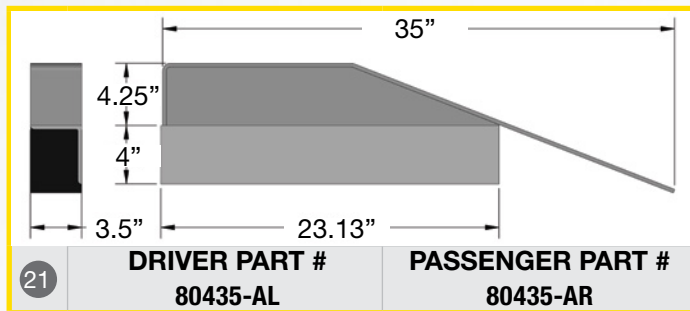
STROBE LIGHT BRACKET				
	SECTION	PART #	DIMENSIONS	DESCRIPTION
17	Deck Plate	C7971112	34" X 64"	Deck Plate with Heavy Duty Grip, Stainless Steel
18	Deck Plate	C7971134	34" X 36"	Deck Plate with Heavy Duty Grip, Stainless Steel
19	Deck Plate	C7971136	33" X 69"	Deck Plate with Heavy Duty Grip, Stainless Steel

### 5<sup>TH</sup> WHEEL RAMP

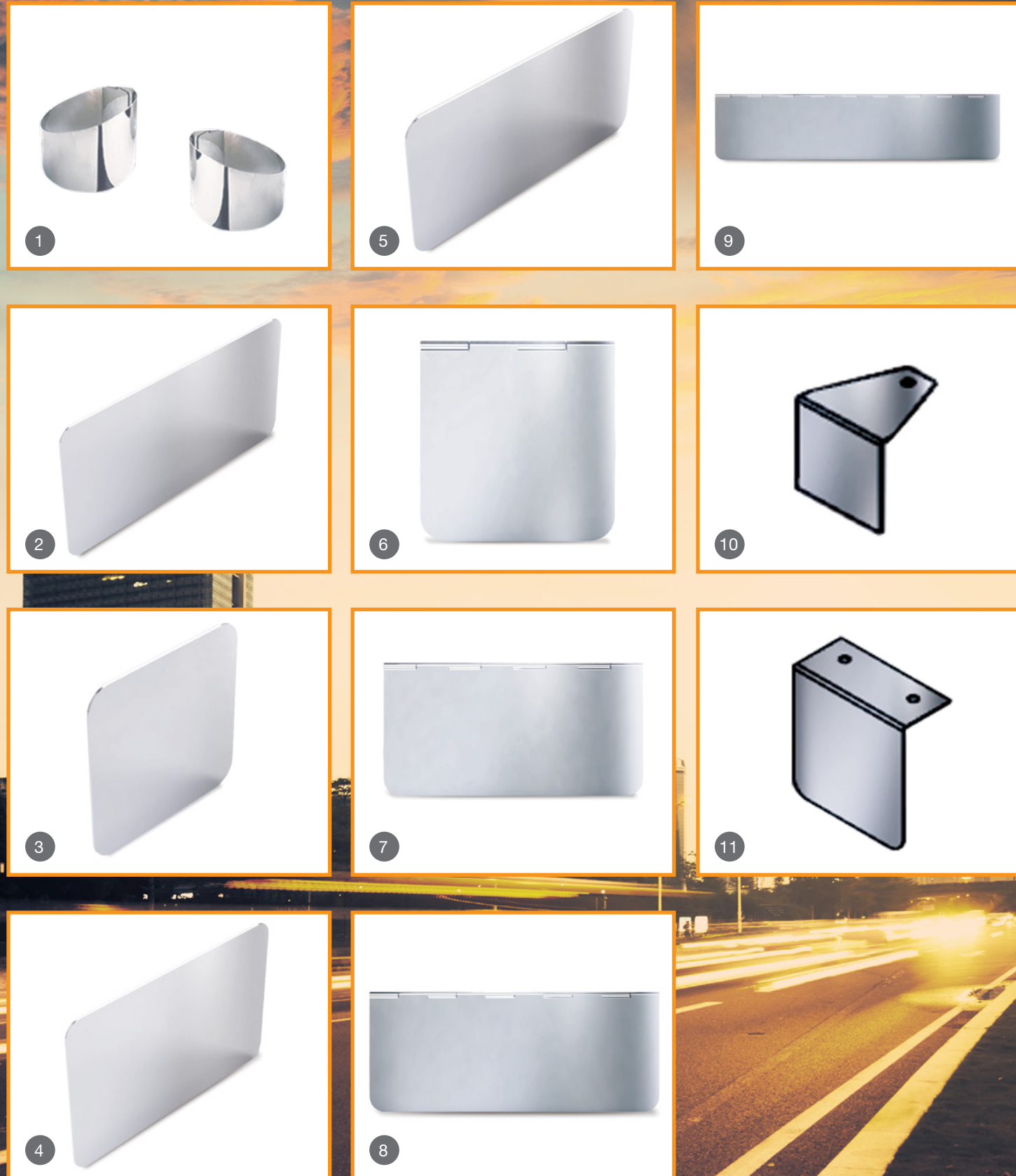
- CUSTOM ON REQUEST
- REINFORCED RAMPS IMPROVE THE SAFETY OF HOOKING UP TRAILERS
- HELP PREVENT DAMAGE THE FENDERS AND OTHER REAR ACCESSORIES
- MODIFICATION COULD BE REQUIRED FOR INSTALLATION







# SLEEPER ACCESSORIES



## DEFLECTOR FOR BACK UP LIGHTS

DEFLECTOR - UNIVERSAL		
	DESCRIPTION	PART #
1	Deflector for Back Lights - Fit On All Models	S7972028

## PERMIT PLATE STAINLESS

PERMIT PLATE STAINLESS				
	DESCRIPTION	PART # PREMIUM QUALITY STAINLESS STEEL 304	PART # REGULAR QUALITY STAINLESS STEEL 430	SIZE
2	Steel Tape Mount	S7951004	C7951004	5" x 10"
3	Steel Tape Mount	S7951005	C7951005	4" x 4"
4	Steel Tape Mount	S7951006	C7951006	5" x 8"
5	Steel Tape Mount	S7951007	C7951007	4" x 8"
6	Steel Hinge Mount	S7951011	C7951011	4" x 4"
7	Steel Hinge Mount	S7951012	C7951012	4" x 8"
8	Steel Hinge Mount	S7951013	C7951013	4" x 10"
9	Steel Hinge Mount	S7951014	C7951014	4" x 18"
10	Bolt On	S7951008	C7951008	3" x 3"
11	Bolt On	S7951009	C7951009	4" x 4"





PERMIT PLATE STAINLESS

LEGEND		
2" ROUND		
LED	LEDB	LEDCB

PERMIT PLATE STAINLESS			
SECTION	PART #	LIGHTS	LOGO
1 Anti-Sail Flap Plate	S7472003	Blank	International
2 Anti-Sail Flap Plate	S7472004-LED	8 x 2" round lights	International
3 Anti-Sail Flap Plate	S7472006	Blank	—
4 Anti-Sail Flap Plate	S7772001	Blank	Volvo
5 Anti-Sail Flap Plate	S7972019	Blank	Blank
6 Anti-Sail Flap Plate	S7172001	Blank	Peterbilt
7 Anti-Sail Flap Plate	S7672001	Blank	Mack



SLEEPER VENT TRIM

SLEEPER VENT TRIM			
SECTION	PART #	MODELS	DESIGN
8 Sleeper Vent Trim - 4.5" x 9.75"	S7951002	All models	—
9 Sleeper Vent Trim- 4.5" x 9.75"	S7951003	All models	Flame






## REAR PANELS

Universal | All Models

REAR PANELS			
	SECTION	PART #	DESCRIPTION
	Full Width Rear Panel	<b>C7973004</b>	Regular drop (19") / 8 x 4" LED lights / <u>holes only</u>
	Full Width Rear Panel	<b>C7973005</b>	Regular drop (19") / 8 x 4" LED lights + 5 x 2.5" LED lights / <u>holes only</u>

## REAR LIGHT BARS

Universal | All Models

REAR LIGHT BARS			
	SECTION	PART #	DESCRIPTION
	95" x 7" Rear Light Bar	<b>S7971115</b>	95" x 7" Rear Light Bar / 8 x 4" LED lights / <u>holes only</u>
	95" x 7" Rear Light Bar	<b>S7971116</b>	95" x 7" Rear Light Bar / 12 x 4" LED lights / <u>holes only</u>
	95" x 7" Rear Light Bar	<b>S7971117</b>	95" x 7" Rear Light Bar / 15 x 4" LED lights / <u>holes only</u>



# LOOKING FOR FENDERS?

They are so popular that we now dedicate an entire catalog to them!



VISIT OUR WEBSITE  
FOR MORE DETAILS!

[metchro.com/catalogs](http://metchro.com/catalogs)



# METCHRO

**EASY TO ORDER**  
contact us for more details  
[metchro.com](http://metchro.com)  
Toll-free: 888 932-3333